

Installation Instructions for the Catalog Number 156 Monitor Bell

DESCRIPTION

The Edwards Catalog 156 Monitor Bells are insulated, grounded, vibrating bells featuring a concealed plunger and a corrosion resistant gray finish. The grounding strap may be removed if not required. For outdoor applications the weatherproof gasket (provided) should be installed.

SPECIFICATIONS

<i>US MODELS</i>			
<i>Cat. No.*</i>	<i>Amps.</i>	<i>Volts</i>	<i>dB Rating</i>
156G-3AM	.8A	6-8VDC 8-10VAC	72dBA
156G-3AX	.2A	12-18VDC	72dBA
156G-3E1	.3A	12VDC	72dBA
156G-3G1	.15A	24VDC	72dBA
156G-3G5	.3A	24VAC	72dBA
156G-3J1	.11A	32VDC	72dBA
156G-4AM	.8A	6-8VDC 8-10VAC	76dBA
156G-4E1	.3A	12VDC	76dBA
156G-4G1	.15A	24VDC	76dBA
156G-4G5	.3A	24VAC	76dBA
156G-6AM	.8A	6-8VDC 8-10VAC	80dBA
156G-6AW	.15A	20-24VDC	80dBA
156G-6E1	.3A	12VDC	80dBA
156G-6G1	.15A	24VDC	80dBA
156G-6G5	.3A	24VAC	80dBA

<i>CANADIAN MODELS</i>			
<i>Cat. No.**</i>	<i>Amps.</i>	<i>Volts</i>	<i>dB Rating</i>
156-AM	.8A	6-8VDC 8-10VAC	72dBA
156-G1	.15A	24VDC	72dBA
156-G5	.3A	24VAC	72dBA

* Bell gong size is denoted by suffix number. For example, the 156G-6G1 has a six inch gong.

** Canadian models provided with three inch gongs.

INSTALLATION

CAUTION

Do not apply power to the bell until installation has been completed.

- If grounding is not required, remove the grounding strap from the back of the bell as follows (See Figure 1):
 - Remove the #6-32 x 1/4" pan head screw securing the ground strap.
 - Remove the adjacent terminal screw and remove the grounding strap.
 - Replace the terminal screw removed in step 1b.
 - Replace the pan head screw removed in Step 1a with (1) #6-32 x 3/8" nylon hex head screw (supplied).
- For use in outdoor applications, install the weatherproof gasket on the back of the bell.
- Connect the bell to an appropriate AC or DC power source using the terminal screws on the back of the bell.
- Mount the bell to a flat surface using hardware appropriate for the application.
- Apply power and test the bell to ensure that it operates properly.

MAINTENANCE

CAUTION

Always disconnect all power before servicing or cleaning bell.

- Examine the bell periodically for accumulation of dirt and clean as necessary.

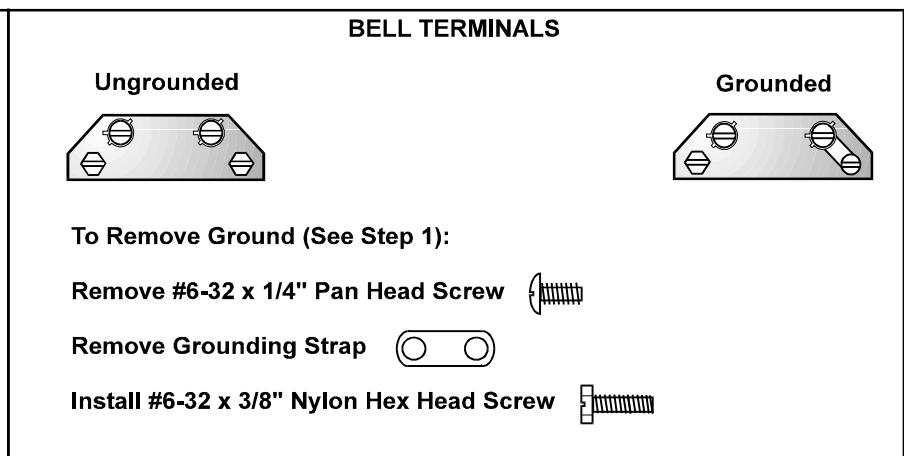
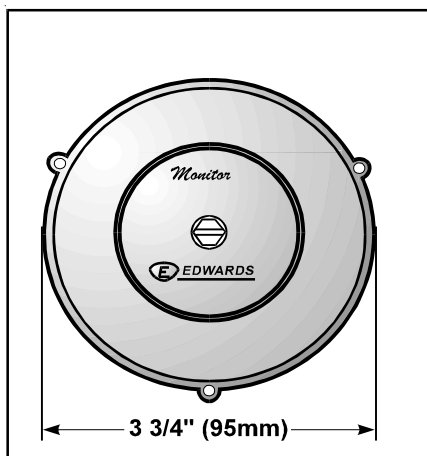


Figure 1.