

Beacons with Horn Flashing LED 51XBR Series



Edwards 51XBR Series XTRA-BRITE™ LED beacons are combination visual and audible signaling devices, designed for indoor or outdoor applications. The integrated horn is synchronized with the flashing LED. The unit features a cast metal base that can be used as a junction box. The double fresnel lens is made of shatter-resistant polycarbonate, and is designed to magnify the superbright LED.

Features and Specifications

- LED light source with integrated horn
- Flash rate 65fpm
- Shatter-resistant double fresnel polycarbonate lens
- Immune to shock and vibration
- Cast metal base
- Suitable for indoor and outdoor applications
- Horn is 95dB at 1 meter/85dB at 10ft.
- Option for panel, conduit or wall mounting
- Operating temperature range: -31°F to 150°F (-35°C to 66°C)



Ordering Information		Replacement						
Description	Cat. No.	Operating Voltage ²	Current	Median LED Life (L70) ¹	Lens Color	Replacement		
						Lens	Horn	Flasher
AC	51XBRFA120A	120V AC	0.175 A	148,000 hours	Amber	92-LA	123A-N5	P-041917-0026
	51XBRFB120A	120V AC	0.175 A	148,000 hours	Blue	92-LB	123A-N5	P-041917-0026
	51XBRFG120A	120V AC	0.175 A	148,000 hours	Green	92-LG	123A-N5	P-041917-0026
	51XBRFR120A	120V AC	0.175 A	148,000 hours	Red	92-LR	123A-N5	P-041917-0026
	51XBRFW120A	120V AC	0.175 A	148,000 hours	Clear	92-LC	123A-N5	P-041917-0026
DC	51XBRFA24D	24V DC	0.275 A	148,000 hours	Amber	92-LA	118-G1	P-041917-0028
	51XBRFB24D	24V DC	0.275 A	148,000 hours	Blue	92-LB	118-G1	P-041917-0028
	51XBRFG24D	24V DC	0.275 A	148,000 hours	Green	92-LG	118-G1	P-041917-0028
	51XBRFR24D	24V DC	0.275 A	148,000 hours	Red	92-LR	118-G1	P-041917-0028
	51XBRFW24D	24V DC	0.275 A	148,000 hours	Clear	92-LC	118-G1	P-041917-0028

¹Based on LED manufacturer's projections. Refer to <http://www.philipsumileds.com/pdfs/WP15.pdf>
²AC voltage frequency is 50/60 Hz

Signal Input Load Characteristics				
These devices may be operated by PLCs with output characteristics that match the input load requirements of the signal.				
Cat. No.	Operating Voltage ²	Max. Off State Leakage Current (A)	Continuous On Current (A)	Surge (Inrush / Duration)
51XBRF*120A	120V AC	0.010	0.175	50 A / 260 μSeconds
51XBRF*24D	24V DC	0.010	0.275	10 A / 120 μSeconds

*Letter in this position designates lens color: A - amber, B - blue, G - green, R - red, or W - clear

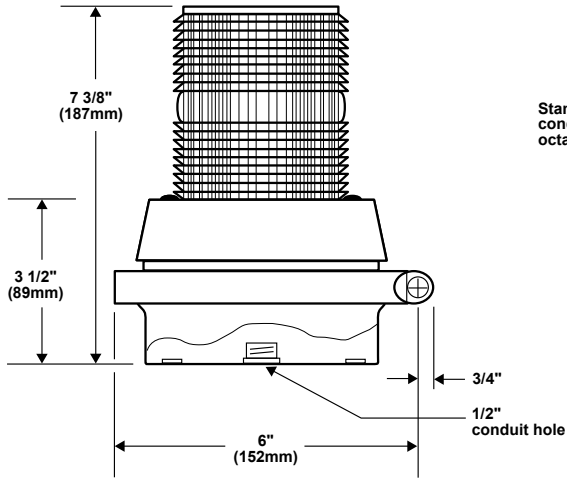


Beacons with Horn Flashing LED 51XBR Series

Weights and Dimensions

Cat. No.	Approx. Net Weight (lb.)	Approx. Shipping Weight (lb.)
51XBRF*120A	1.80	2.14
51XBRF*24D	1.80	2.14

*Letter in this position designates lens color: A - amber, B - blue, G - green, R - red, or W - clear



Standard mounting options are 1/2" (13mm) conduit, direct surface or 4" (102mm) octagonal box.