

Magnetic Door Position Switch

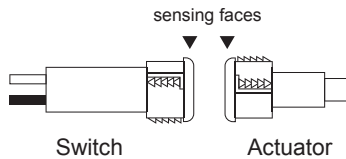
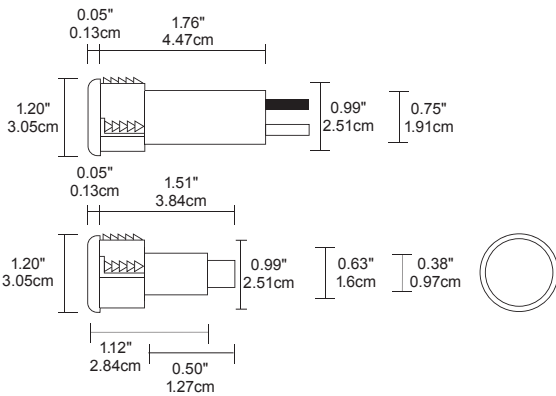
126 GuardSwitch

Applications

- Closet Door Switch
- Environmental Controls

General Specifications

Enclosure	ABS Plastic with Protective Nylon
Switch Sleeve	
Temperature Range	-40°F to 180°F (-40°C to 80°C)
NEMA Rating	1, 2, 3, 4, 4x, 5, 6, 12
Protection Class	IP 67
Response Time	10 msec
Life Cycles	100,000 Under Full Load; Up to 200,000,000 Under Dry Circuit
Lead Types/O.D.	12 AWG (AX) / 0.13" (0.33cm) Flex Conduit (X) / 0.58" (1.5cm)
UL/CSA	All Models



New York
Calendar # 40018

INTERLOCK SWITCH
100 SERIES

Order Information	Electrical Specifications				AC ONLY				
	Part Number	Contact ¹ Config.	Load Rating (AC)	Switching Voltage Maximum (AC)	Switching Current ³ Maximum (AC)	Voltage Drop	Sense Range ² Nominal	Break Range Nominal	Lead Length
126-EY-01AX	N.C.	150VA	120V AC	1.25A	1.5V	1.0" (2.5cm)	1.5" (3.8cm)	1' (0.3m)	
126-EY-06X	N.C.	150VA	120V AC	1.25A	1.5V	1.0" (2.5cm)	1.5" (3.8cm)	6' (1.8m)	
126-8Y-01AX	N.O.	150VA	120V AC	1.25A	1.5V	1.0" (2.5cm)	1.5" (3.8cm)	1' (0.3m)	
126-EY-03AX	N.C.	150VA	120V AC	1.25A	1.5V	1.0" (2.5cm)	1.5" (3.8cm)	3' (0.9m)	
126-Y	Actuator Only								

Warning— Each electrical rating is an individual maximum and cannot be exceeded!

¹ Configuration with actuator away from the switch

² Proximity of ferrous materials usually reduces sense range — typically by 50%. The shape and type of material cause a wide diversity of effects. Testing is required to determine actual sense range for specific applications.

³ Can withstand inrush surge up to 4 amps. Voltage Drop 1.5V, minimum switch current of 30mA.