

Beacons: Explosionproof Steady-On Halogen 116 Series

Edwards 116 Series steady-on beacons are explosionproof signaling devices, suitable for hazardous indoor or outdoor applications. The housing is cast aluminum with a corrosion-resistant epoxy powder coat, and includes a dome guard. The fluted, high-impact glass dome provides even light distribution.

Features and Specifications

- Halogen light source
- Cast aluminum housing with epoxy powder coat and dome guard
- Quick connect for easy assembly and installation
- Suitable for use in indoor, outdoor, hazardous and marine applications
- NEMA Type 3R and Type 4X – Marine Rated
- Cast aluminum housing
- Pendant, ceiling, bracket or stanchion mounting options (ordered separately)
- Explosionproof: Class I, Div 2, Groups A and B; Class I, Div 1 and 2, Groups C and D; Class II and III, Div 1, Groups E, F and G; Class II and III, Div 2, Group G



← 7.25" →



NOTE: Mounting options not included (ordered separately)

Ordering Information

Description	Cat. No.	Operating Voltage ¹	Current	Peak Candela	Lens Colors	Replacement			
						Dome Guard	Dome	Inner Lens	Lamp
Steady-on Beacon Halogen	116EXMSINHA-N5	120V AC	0.35 A	3328	Amber	116-GRD	116-Globe	116-RIN-LA	
	116EXMSINHB-N5	120V AC	0.35 A	3328	Blue	116-GRD	116-Globe	116-RIN-LB	
	116EXMSINHC-N5	120V AC	0.35 A	3328	Clear	116-GRD	116-Globe	116-RIN-LC	50LMP-40WH
	116EXMSINHG-N5	120V AC	0.35 A	3328	Green	116-GRD	116-Globe	116-RIN-LG	25,000 hours. ²
	116EXMSINHM-N5	120V AC	0.35 A	3328	Magenta	116-GRD	116-Globe	116-RIN-LM	
	116EXMSINHR-N5	120V AC	0.35 A	3328	Red	116-GRD	116-Globe	116-RIN-LR	

¹AC voltage frequency is 50/60 Hz

²Projected life based on manufacturer's calculated lamp life.

Required Mounting Options

Description	Cat. No.
Wall Bracket Mounting Elbow	116EX-B
Ceiling/Wall Mounting Module	116EX-C
Pendant Mounting Module	116EX-P
Stanchion Mounting Module	116EX-S

Hazardous Location Listings

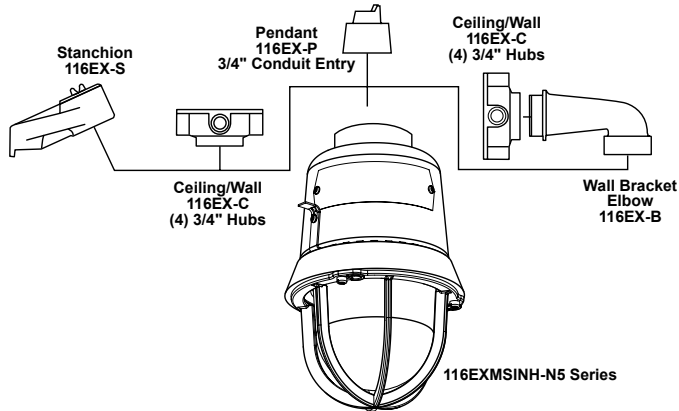
Cat. No.	Ambient Temp.	Supply Wire Temp. Marking	Operating Temperature			
			Class I, Div. 2 Groups A, B	Class I, Div. 1 & 2 Groups C, D	Class II & III, Div. 1 Groups E, F, G	Class II & III, Div. 2 Group G
116EXMSINH*-N5	40°C	75°C	T1 (450°C)	T6 (85°C)	T4A (120°C)	T4A (120°C)
	55°C	90°C	T1 (450°C)	T5 (100°C)	T4 (135°C)	T4 (135°C)
	65°C	105°C	T1 (450°C)	T5 (100°C)	T4 (135°C)	T4 (135°C)

*Letter in this position designates lens color: A - amber, B - blue, C - clear, G - green, M - magenta, or R - red



Beacons: Explosionproof Steady-On Halogen 116 Series

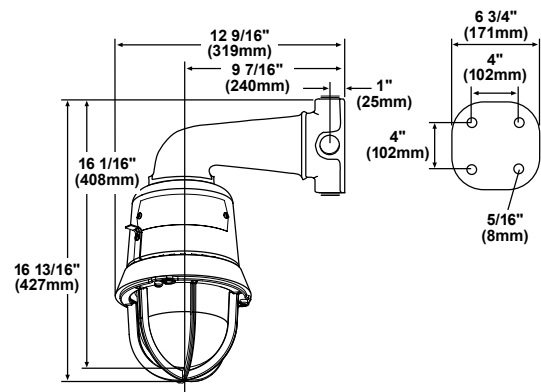
Mounting Options



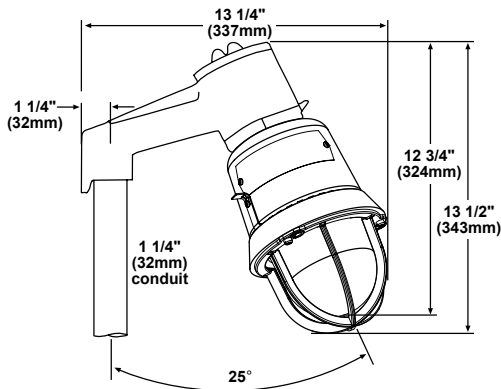
Weights and Dimensions

Cat. No.	Approx. Net Weight (lb.)	Approx. Shipping Weight (lb.)
116EXMSINHA-N5	11.60	13.0
116EXMSINHB-N5	11.60	13.0
116EXMSINHC-N5	11.60	13.0
116EXMSINHG-N5	11.60	13.0
116EXMSINHM-N5	11.60	13.0
116EXMSINHR-N5	11.60	13.0
116EX-B	2.02	2.28
116EX-C	2.50	2.80
116EX-P	1.10	1.26
116EX-S	2.62	2.90

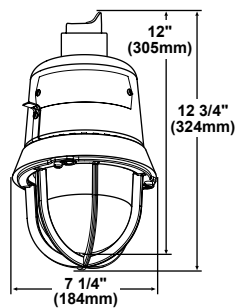
Wall Mount
116EX-B



Stanchion Mount
116EX-S



Pendant Mount
116EX-P



Ceiling Mount
116EX-C

