

Beacons: Explosionproof Flashing Xenon

116 Series



7.25"

C

NOTE: Mounting options not included (ordered separately)

Edwards 116DEXSTC-FJ Series Xenon strobe beacons are explosionproof, signaling devices suitable for use in hazardous indoor or outdoor applications requiring NEMA Type 3R or 4X installations. The housing is cast aluminum with a corrosion resistance epoxy powder coat, and includes a dome guard. The fluted, high-impact glass dome provides even light distribution.

The 116DEXSTC-FJ Series is Diode Polarized for use in electrically supervised circuits, such as fire alarm systems. The strobe, when wall, ceiling or pendant mounted, is UL 1971 listed (ADA) for indoor visual signaling applications for the hearing impaired in non-sleeping areas. The unit can be stanchion mounted as well (non-fire alarm use).

Features and Specifications

- Xenon strobe light source
- Flash rate 65 fpm
- High impact glass dome, dome guard included
- Quick connect for easy assembly and installation
- Diode Polarized for use in electrically supervised circuits
- Suitable for indoor and outdoor hazardous applications
- Bracket, ceiling, pendant or stanchion mounting options (ordered separately)
- NEMA Type 3R and 4X enclosure
- UL 1971 Listed (ADA)
- Explosionproof: Class I, Div 2, Groups A and B; Class I, Div 1 and 2, Groups C and D; Class II and III, Div 1, Groups E, F and G; Class II and III, Div 2, Groups F and G

Ordering Information

Description	Cat. No.	Operating Voltage	Current	Lens Colors	Candela	Replacement	
						Dome	Strobe Tube
Xenon Strobe	116DEXSTC-FJ	24V DC FWR	0.802 A (Max. DC) 1.14 A (Max. FWR)	Clear	60 ²	116-Globe	92-ST 3,000 hours. ¹

¹Calculated at operating power to 75% efficiency.

²UL1971 Fire Alarm output rating, 800,000 peak candela for non-fire alarm listing.

Required Mounting Options

Description	Cat. No.	Conduit Size
Wall Bracket Mounting Elbow	116EX-B	N/A
Ceiling/Wall Mounting Module	116EX-C	3/4" NPT
Pendant Mounting Module	116EX-P	3/4" NPT
Stanchion Mounting Module ³	116EX-S	1 1/4" NPT

³For non-fire alarm use.

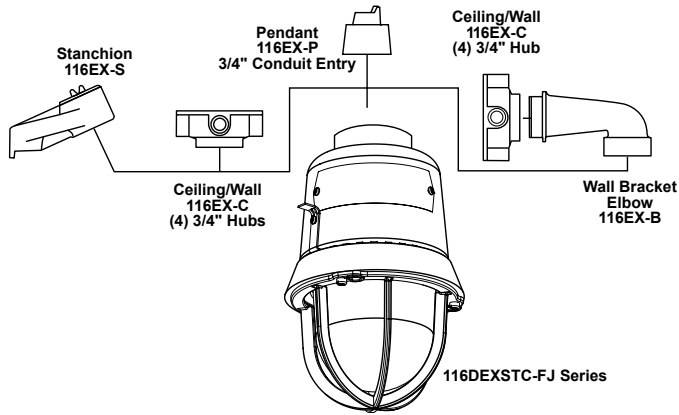
Hazardous Location Listings

Cat. No.	Ambient Temp.	Supply Wire Temp. Marking	Operating Temperature			
			Class I, Div. 2 Groups A, B	Class I, Div. 1 & 2 Groups C, D	Class II & III, Div. 1 Groups E, F, G	Class II & III, Div. 2 Group F, G
116DEXSTC-FJ	40°C	75°C	T2D (215°C)	T6 (85°C)	T4A (120°C)	T4A (120°C)
	55°C	90°C	T2C (230°C)	T6 (85°C)	T4 (135°C)	T4 (135°C)



Beacons: Explosionproof Flashing Xenon 116 Series

Mounting Options



Weights and Dimensions

Cat. No.	Approx. Net Weight (lb.)	Approx. Shipping Weight (lb.)
116DEXSTC-FJ	11.40	12.44
116EX-B	2.02	2.28
116EX-C	2.50	2.80
116EX-P	1.10	1.26
116EX-S	2.62	2.90

