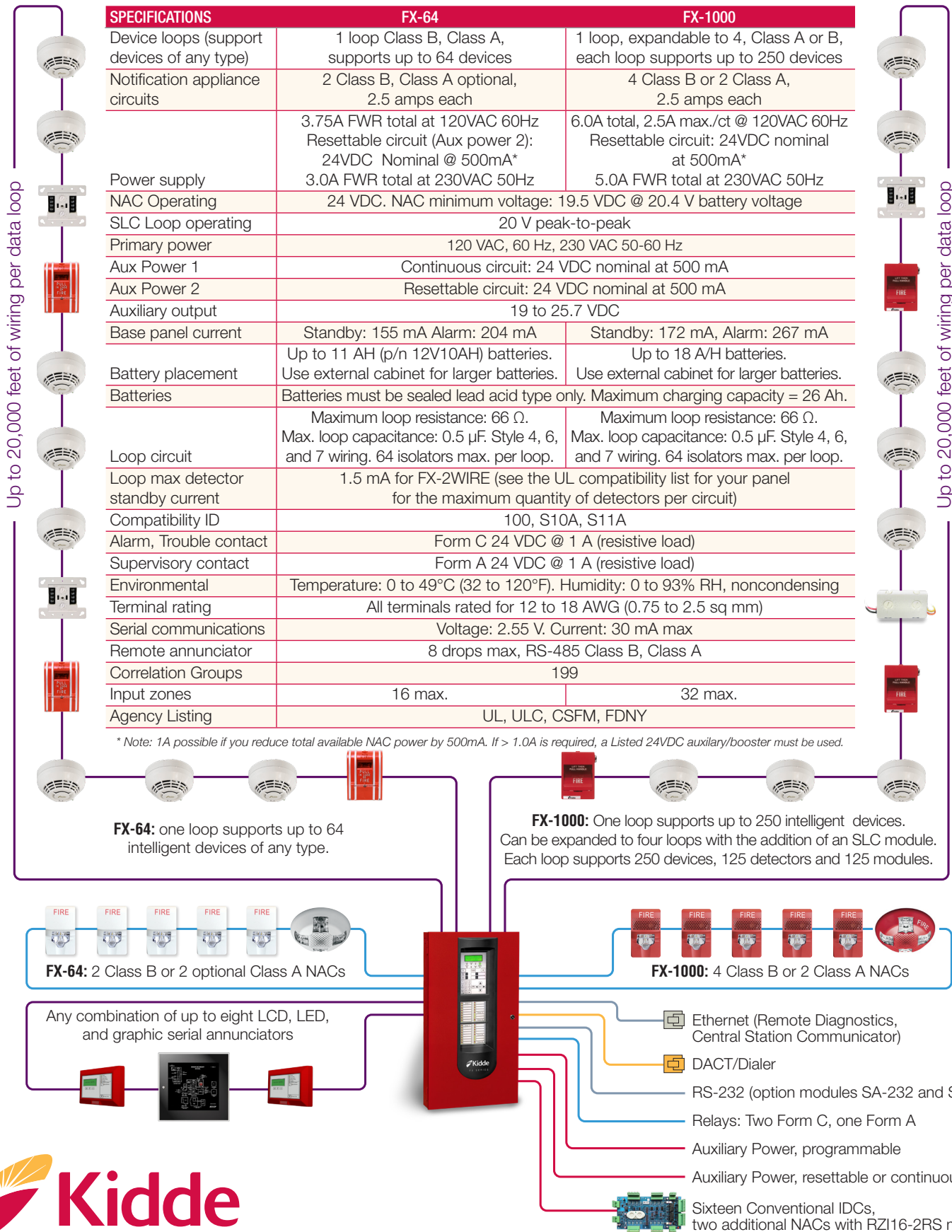


FX SERIES

INTELLIGENT SMALL BUILDING FIRE ALARM SOLUTIONS

SPECIFICATIONS	FX-64	FX-1000
Device loops (support devices of any type)	1 loop Class B, Class A, supports up to 64 devices	1 loop, expandable to 4, Class A or B, each loop supports up to 250 devices
Notification appliance circuits	2 Class B, Class A optional, 2.5 amps each	4 Class B or 2 Class A, 2.5 amps each
Power supply	3.75A FWR total at 120VAC 60Hz Resettable circuit (Aux power 2): 24VDC Nominal @ 500mA*	6.0A total, 2.5A max./ct @ 120VAC 60Hz Resettable circuit: 24VDC nominal at 500mA*
NAC Operating	24 VDC. NAC minimum voltage: 19.5 VDC @ 20.4 V battery voltage	
SLC Loop operating	20 V peak-to-peak	
Primary power	120 VAC, 60 Hz, 230 VAC 50-60 Hz	
Aux Power 1	Continuous circuit: 24 VDC nominal at 500 mA	
Aux Power 2	Resettable circuit: 24 VDC nominal at 500 mA	
Auxiliary output	19 to 25.7 VDC	
Base panel current	Standby: 155 mA Alarm: 204 mA	Standby: 172 mA, Alarm: 267 mA
Battery placement	Up to 11 AH (p/n 12V10AH) batteries. Use external cabinet for larger batteries.	Up to 18 A/H batteries. Use external cabinet for larger batteries.
Batteries	Batteries must be sealed lead acid type only. Maximum charging capacity = 26 Ah.	
Loop circuit	Maximum loop resistance: 66 Ω. Max. loop capacitance: 0.5 μF. Style 4, 6, and 7 wiring. 64 isolators max. per loop.	Maximum loop resistance: 66 Ω. Max. loop capacitance: 0.5 μF. Style 4, 6, and 7 wiring. 64 isolators max. per loop.
Loop max detector standby current	1.5 mA for FX-2WIRE (see the UL compatibility list for your panel for the maximum quantity of detectors per circuit)	
Compatibility ID	100, S10A, S11A	
Alarm, Trouble contact	Form C 24 VDC @ 1 A (resistive load)	
Supervisory contact	Form A 24 VDC @ 1 A (resistive load)	
Environmental	Temperature: 0 to 49°C (32 to 120°F). Humidity: 0 to 93% RH, noncondensing	
Terminal rating	All terminals rated for 12 to 18 AWG (0.75 to 2.5 sq mm)	
Serial communications	Voltage: 2.55 V. Current: 30 mA max	
Remote annunciator	8 drops max, RS-485 Class B, Class A	
Correlation Groups	199	
Input zones	16 max.	32 max.
Agency Listing	UL, ULC, CSFM, FDNY	

* Note: 1A possible if you reduce total available NAC power by 500mA. If > 1.0A is required, a Listed 24VDC auxilary/booster must be used.



QUICK REFERENCE

Consult relevant literature for full listing of available models and options.

FX INTELLIGENT CONTROL PANELS	
FX-64R	Intelligent Fire Alarm Control Panel, 64 Points
FX-64RD	Intelligent Fire Alarm Control Panel with dialer, 64 Points
SA-TRIM1	Fire Alarm Control Accessory, Semi-Flush Mt., Trim Kit, FX-64
FX-1000	Intelligent Fire Alarm Control Panel. One loop (250 Devices) expand to four loops (1,000 Devices) with SLC cards (see below)
FX-1000D	Same as FX-1000, with dialer
SA-TRIM2	Semi-Flush Mt., Trim Kit, FX-250



FX OPTION CARDS	
FX-SLC1	Expansion module, 250-device loop.
FX-SLC2	Expansion module, two 250-device loops, 500 devices total.
RZ116-2RS	Remote Zone Interface Module. Sixteen Class B Initiating Device Circuits and two Class B Supervised Output Circuits.
SA-DACT	Dual Line Dialer/Modem, supports Contact ID, mounts in cabinet.
SA-232	RS-232 Serial Port for printers & computers, mounts in cabinet.
SA-ETH	Ethernet Port, Slave, mounts in cabinet.
SA-CLA	Class A adapter module. Provides Class A capacity on NACs. Mounts in cabinet. FX-64 systems only.
SA-USB	USB interface for Printer and Computer connection, mounts in cabinet.
D16L-FA	LED Annunciator Module, 16 groups, 2 LEDs per group. Mounts in cabinet. FX-1000 systems only.



FX REMOTE ANNUNCIATION	
K-RLCD-R	LCD text annunciator without common controls. Red.
K-RLCD-CR	LCD text annunciator, common controls. Red.
K-RLED-CR	16-pair LED zone annunciator, common controls. Red.
K-RLED24R	24-pair LED zone expander, cable and zone card. Red.
RA-ENC1	One-position enclosure for Remote Annunciator.
RA-ENC2	Two-position enclosure for Remote Annunciator and Remote Expander.
LSRA-SB	Surface Mount Box



FX POWER SUPPLIES	
EBPS6A	6.5 Amp Booster Power Supply
EBPS10A	10 Amp Booster Power Supply
12V6A5	7.2 Ah Batteries
12V10A	11.0 Ah Batteries
12V17A	18 Ah Batteries
BC-1R	Battery Cabinet



FX INTELLIGENT DETECTORS & BASES	
KIR-OSD	Photoelectric Smoke Detector
KIR-OSHD	Photoelectric Smoke/Heat Detector
KIR-OSCD	Photoelectric Smoke/CO Detector
KIR-OSHCD	Photoelectric Smoke/Heat/CO Detector
KIR-COD	Carbon Monoxide Detector
KIR-HD	Heat Detector, RoR or Fixed, Programmable
KIR-HCD	Heat/CO Detector
KI-SB, KI-SB4	Standard Base
KI-RB, KI-RB4	Relay Detector Base
KI-IB, KI-IB4	Fault Isolator Detector Base
KI-ABST	Audible Detector Base



KI-ABLT	Low Frequency Audible Detector Base
KI-ABDT	Audible Detector Base for CO/Fire
GSA-LED	Remote alarm LED. Use with standard base only.

FX DUCT DETECTORS	
FX-PDD	Intelligent SuperDuct Detector
SD-TXX	Sampling Tubes for SuperDuct
SD-TRK	Remote Test Stations for SuperDuct



FX INTELLIGENT MODULES	
FX-2WIRE	Class A-B Two-Wire Module
FX-IDC1B	Single Input Mini Module
FX-IDC2B	Dual Input Module
FX-IDCWS	Dual Input Waterflow/Supervisory Module
FX-ISO	SLC Fault Isolator Module
FX-NAC	NAC module
FX-RLY	Contact Relay Module
FX-T3T4	T3/T4 Tone Generator for CO Detectors



STROBES, HORNS	
G4LFRF-HMM	Wall Horn/Strobe, Low Frequency, 15-110 cd, Marked "Fire", 24VDC, red
G4LFRF-H	Wall Strobe, Low Frequency, 15-110 cd, Marked "Fire", 24VDC, red
EG1VRF	Wall Strobe, 15-75 cd, 16-33 VDC, Red, Marked "FIRE"
EG1AVRF	Wall Horn/Strobe, 15-75 cd, 16-33 VDC, Red, Marked "FIRE"
EG1ARF	Wall Horn, Constant or T3 Temporal, 16-33 VDC, Red, Marked "FIRE"
EG1TR	Trim Ring, EG1 Series, Red
EGCVRF	Ceiling Multi-cd Strobe, 15-115 cd, Marked "Fire", red
EGCF-VMH	Ceiling Multi-cd Strobe, 95-177 cd, Marked "Fire", red
EGCAVRF	Ceiling Multi-cd Horn-Strobe, 15-115 cd, Marked "Fire", red
EGCF-HDVMH	Ceiling Multi-cd Horn-Strobe, 95-177 cd, Marked "Fire", red
EWGAVRF	Outdoor Horn-Strobe 15-30cd, Red, Marked "FIRE"
EWGSVRF	Outdoor Speaker-Strobe 15-30cd, Red, Marked "FIRE"
CS405-8A-T	Weatherproof Strobe, 110 cd (7A is 15/75cd)
2452THS-110-R	Weatherproof Horn/Strobe, 110 cd
74347U	Red Weatherproof Box for CS405 strobes
449	Grey Weatherproof Box for CS405 strobes
2459WPB-R	Weatherproof Surface Box, red



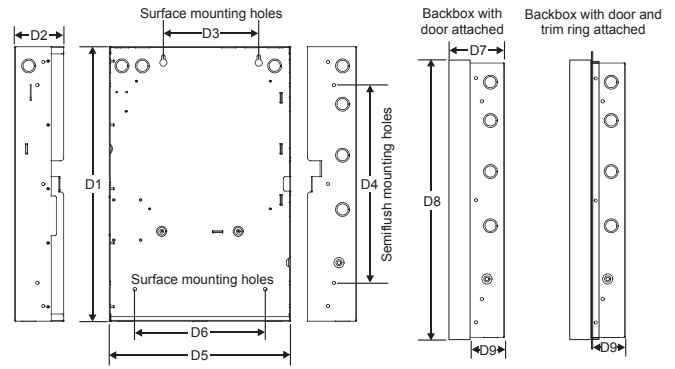
FX MANUAL STATIONS	
FX-278	Double Action Pull Station
K-276B-RSB	Surface Mount Box, Red, for FX-278
FX-270	Single Action Pull Station
P-039250	Steel Mounting Box for FX-270



POWER RELAYS	
MR101/C	Single SPDT relay. Contact Rating 10 Amps @ 115Vac and Coil Power 24 Vac, 24Vdc, 115Vac or 230Vac.
MR201/C	Single DPDT relay. Contact Rating 10 Amps @ 115Vac and Coil Power 24 Vac, 24Vdc, 115Vac or 230Vac.
PAM1	Encapsulated SPDT relay. Contact Rating 10 Amps @ 115Vac and Coil Power 24 Vac, 24Vdc, or 115Vac.
1505-AQN5	Short Catch Plate, Flush Wall Mounted
1508-AQN5	Surface, Wall Mounted



DIMENSIONS



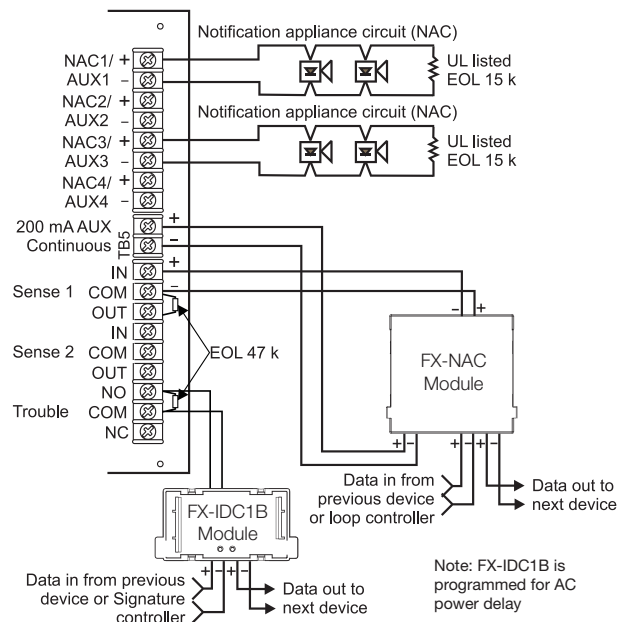
PANEL DIMENSIONS, IN (CM)									
	D1*	D2	D3	D4	D5*	D6	D7	D8	D9
FX-64	21.50 (54.6)	3.85 (9.8)	7.5 (19)	15.5 (39.4)	14.25 (36.2)	10.25 (26)	3.9 (9.9)	21.7 (55.1)	2.7 (6.8)
FX-1000	28.0 (71.1)	3.85 (9.8)	9.0 (22.8)	22.0 (55.8)	15.75 (40.0)	10.25 (26.0)	3.9 (9.9)	28.2 (71.6)	2.7 (6.8)

* Optional trim kits provide 3/4" frame on top, bottom and sides.

BOOSTER POWER SUPPLY

Consult relevant literature for application details.

AC POWER FAIL DELAY OPERATION



SPECIFICATIONS	EBPS6A - 6.5 AMP BOOSTER	EBPS10A - 10 AMP BOOSTER
AC Line Voltage	120VAC 50/60Hz 390 watts	120VAC 50/60Hz 580 watts
NAC Ratings	24Vdc nominal 6.5A max total all NACs	24Vdc nominal 10A max total all NACs
Trouble Relay	2 Amps @ 30Vdc	
Auxiliary Outputs	Four individually configurable outputs can replace NACs 1, 2, 3 or 4 as auxiliary outputs. 200 mA dedicated auxiliary for use with E-NAC module.	
Input Current	6mA @ 24Vdc (from an existing NAC)	
Current	70mA (Booster Internal Supervisory)	
Maximum Battery Size	10 Amp Hours (2 of 12V10A) in cabinet up to 24 Amp hours with external battery cabinet (p/n BC-1R)	
Environmental	Temperature 32° to 120°F (0° to 49°C), Humidity 0 to 93% non condensing @ 32°C	
NAC Wiring	(4) Class B or (2) Class A	
Output Signal Rates	Continuous, 3-3-3 temporal, or follow installed panel's NAC.	

