

AEBN: 230323

Date: March 23, 2023

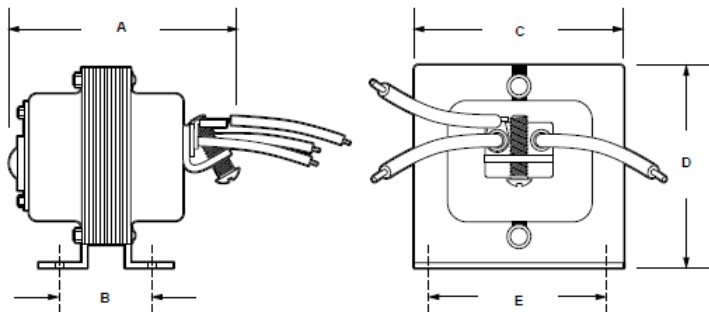
Subject: CS2490, 16-Volt, 40 Volt-Amp Transformer

Edwards CS2490 Class 2, Signaling Transformer is easy to install. Mounts in a standard 1/2" (13mm) knockout or surface mounts using the provided foot mounts. This transformer is suitable for mounting in both plastic and metal electrical boxes. May also be used with the 593-transformer plate for enclosed mounting in a standard two-gang electrical box.

The CS2490 transformer is suitable for standard doorbells and chimes in residential and commercial applications requiring 16 volts AC. This transformer is a 16-volt AC, low voltage power source for residential, commercial, and industrial uses.

Features and Specifications

- Non-regenerative thermal overload protection
- Grounding wire
- Pre-stripped primary side pigtail wires
- Screw terminal connections on secondary
- Primary, 120 VAC, 50/60 Hz
- Secondary, 16 VAC, 40Volt-Amp



Dimensions:

A (in.)	B (in.)	C (in.)	D (in.)	E (in.)
2 15/16	1 5/8	2 1/4	2 1/8	2