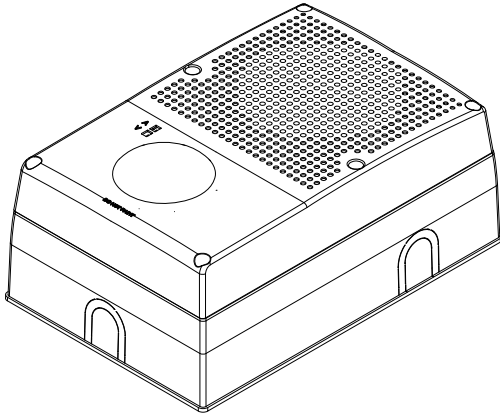


# Genesis WG4 Speaker Installation Sheet



## Description

The Genesis WG4 Speaker is a fire alarm and mass notification and emergency communication (MNEC) appliance designed for indoor or outdoor wet location use on ceilings or walls. See Table 1 for a list of models and Table 2 for a list of accessories.

**Table 1: Models**

Number	Description
WG4WA-S	Outdoor-rated wall/ceiling speaker (25/70 V), multi-tap, white with ALERT marking
WG4WN-S	Outdoor-rated wall/ceiling speaker (25/70 V), multi-tap, white
WG4RN-S	Outdoor-rated wall/ceiling speaker (25/70 V), multi-tap, red
WG4WF-S	Outdoor-rated wall/ceiling speaker (25/70 V), multi-tap, white with FIRE marking
WG4RF-S	Outdoor-rated wall/ceiling speaker (25/70 V), multi-tap, red with FIRE marking

**Table 2: Accessories**

Number	Description
WG4WTS [1]	Outdoor-rated surface skirt, white - for Genesis WG4 speaker or speaker/strobe
WG4RTS [1]	Outdoor-rated surface skirt, red - for Genesis WG4 speaker or speaker/strobe
WGRGSKT	Appliance replacement gasket

[1] The trim skirt is outdoor-rated when used with the 449 weatherproof box.

## Installation

Install this device in accordance with the latest edition of NFPA 72 and the local authority having jurisdiction.

**WARNING:** Electrocutation hazard. To avoid personal injury or death from electrocution, remove all sources of power and allow stored energy to discharge before installing or removing equipment

**Caution:** Electrical supervision requires the wire run to be broken at each terminal. Do not loop the signaling circuit field wires around the terminals.

**Note:** The Genesis WG4 Speaker may be ceiling-mounted or wall-mounted and may be placed in one of four positions. See Figure 4. Place the electrical box accordingly.

### To install the speaker:

1. Remove the cover from the speaker by first removing the six cover screws. See Figure 1.
2. If desired, place the optional trim skirt over the electrical box. See "Specifications" for a list of compatible boxes.
3. Remove the gasket that comes with the 449 weatherproof box and replace it with the gasket that comes with the WG4 speaker.
4. Place the gasket over the backplate, and then feed the field wiring through the wire slots on the gasket and the backplate. See Figure 2, item 2.
5. Secure the backplate to the electrical box with four screws.
6. Connect the wiring to the terminal strip.
7. Connect the speaker to the audio NAC. Observe polarity. See Figure 2.
8. Set the speaker voltage.

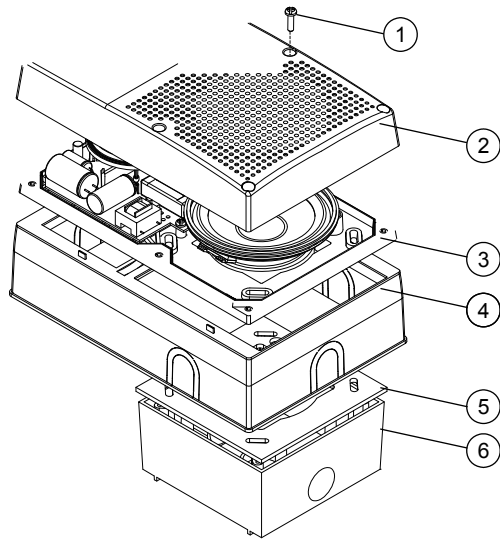
The default speaker voltage is 70 V. For 25 V, reposition the speaker voltage selection switch S3. See Figure 2, item 3.

9. Set the wattage.

The wattage default setting is Z corresponding to 1/4 watt. To select a different wattage, align the S1 indicator to the desired wattage setting. See Table 3 and Figure 2, item 1.

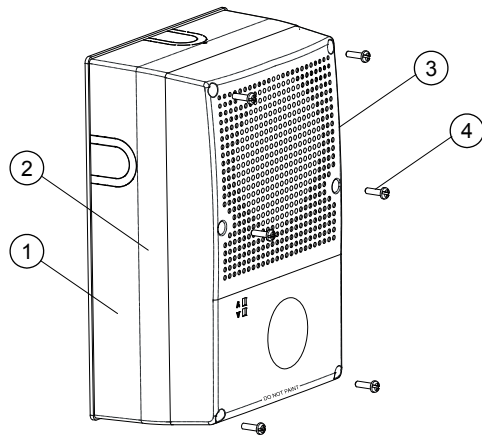
10. Position the cover over the backplate, and then secure it with the six cover screws.
11. Test the unit for proper operation.

Figure 1: Exploded view of assembly



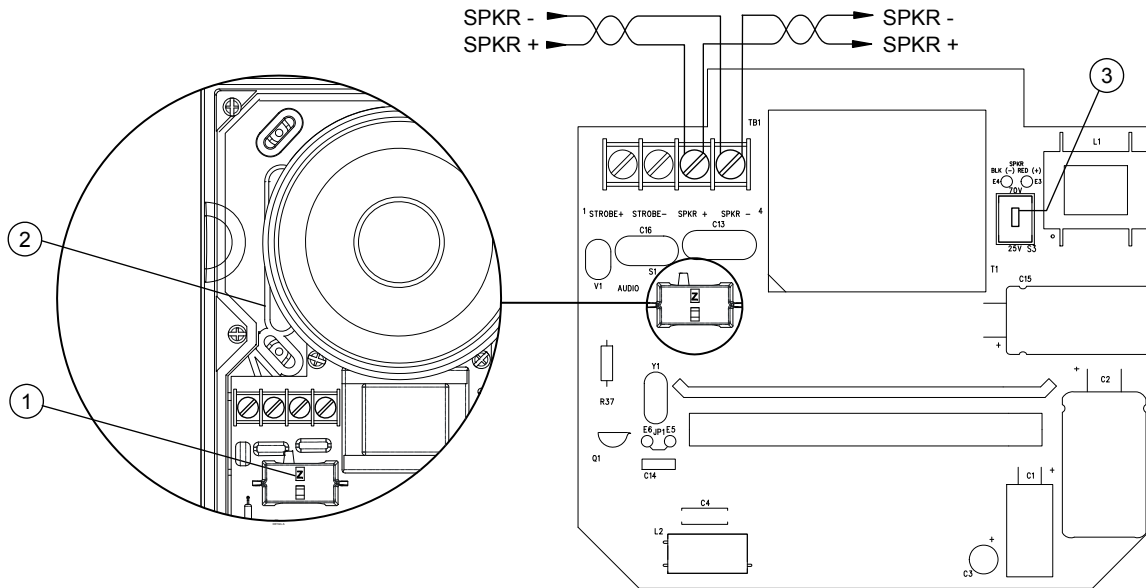
- |                      |                   |
|----------------------|-------------------|
| 1. Cover screws (6X) | 4. Optional skirt |
| 2. Front cover       | 5. Gasket         |
| 3. Backplate         | 6. Electrical box |

Figure 3: Assembled



- |                   |                      |
|-------------------|----------------------|
| 1. Optional skirt | 3. Front cover       |
| 2. Backplate      | 4. Cover screws (6X) |

Figure 2: Wiring and switch locations

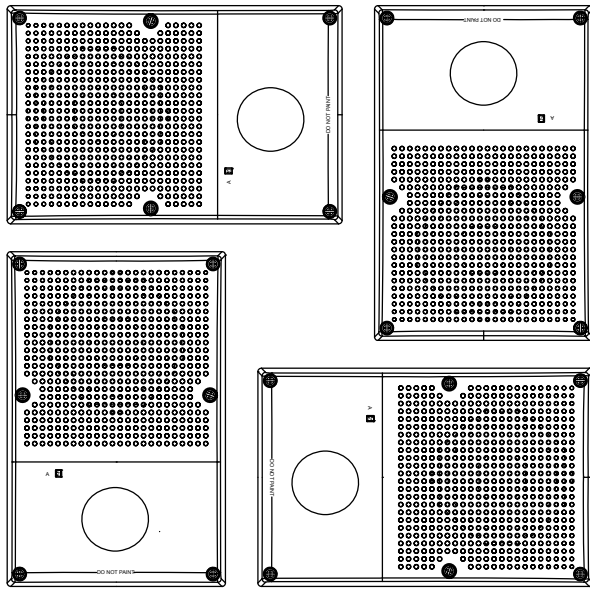


1. S1 wattage-setting switch (see Table 3.)
2. Wire slot

3. S3 speaker voltage-setting switch. UP position is 70 V (default); DOWN position is 25 V.

Note: Polarity shown in alarm condition.

**Figure 4: Mounting positions**



**Maintenance**

This unit is not serviceable or repairable. Should the unit fail to operate, contact the supplier for replacement.

Perform a visual inspection and an operational test twice a year or as directed by the local authority having jurisdiction.

**Caution:** Do not change the factory-applied finish.

**Specifications**

Operating voltage	
Speaker	25 VRMS or 70 VRMS, switch selectable
Default	70 VRMS
Supervisory voltage	30 V max.
Sound level output	See Table 3
Speaker response	400 to 4,000 Hz
Wire size	12 to 18 AWG (0.75 to 2.50 mm <sup>2</sup> )
Compatible electrical box	
Wet	Model 449
Dry	4 in. square by 1-1/2 in. deep box
Operating environment	Wet
Temperature	-40 to 151°F (-40 to 66°C)
Relative humidity	0 to 95% noncondensing

**Table 3: Sound level output (dBA)**

Wattage	Setting	25 V	70 V
2 W	T	90	89.7
1 W	X	87.1	86.9
1/2 W	Y	84.0	83.9
1/4 W	Z	80.8	80.8

dBA = Decibels, A-weighted.

UL 1480: Sound level output at 10 ft. (3.05 m) measured in a reverberant room using 400 to 4,000 Hz band-limited pink noise.

**Regulatory information**

Manufacturer	Edwards, A Division of UTC Fire & Security Americas Corporation, Inc. 8985 Town Center Parkway, Bradenton, FL 34202, USA
Year of manufacture	The first two digits of the DATE MFG number (located on the product identification label) are the year of manufacture.
North American standards	Meets: UL 1480 Follow: NFPA 72
FCC compliance	This device complies with part 15 of the FCC Rules. Operation is subject to the following two conditions: (1) This device may not cause harmful interference, and (2) this device must accept any interference received, including interference that may cause undesired operation.
Industry Canada compliance	This Class A digital apparatus complies with Canadian ICES-003

**Contact information**

For contact information, see [www.utcfireandsecurity.com](http://www.utcfireandsecurity.com).

