



MPSR Series Outdoor Manual Station Installation Sheet

Product description

This installation sheet covers the following model numbers.

Description	Models	
Single action	MPSR1-SHTW-GE	MPSR1-S45W-GE
	MPSR1-DHTW-GE	MPSR1-D45W-GE
Double action	MPSR2-SHTW-GE	MPSR2-D45W-GE
	MPSR2-S45W-GE	MPSR2-SHTW-GE-NYW
	MPSR2-DHTW-GE	MPSR2-S45W-GE-NYW

The manual pull station is a high quality non-toxic die-cast manual pull station for use outdoors. All components are pre-painted or have plated surfaces to inhibit corrosion. The manual pull station has a 10 A snap action switch and gold contacts and can be used with or without a break glass rod with replacement requiring no special tools. Each manual station can be reset and locked using the standard key or hex key provided.

Installation instructions

Note: The manual stations are supplied with the glass rods removed. It is recommended that the station be activated and tested prior to installation of the glass rod.

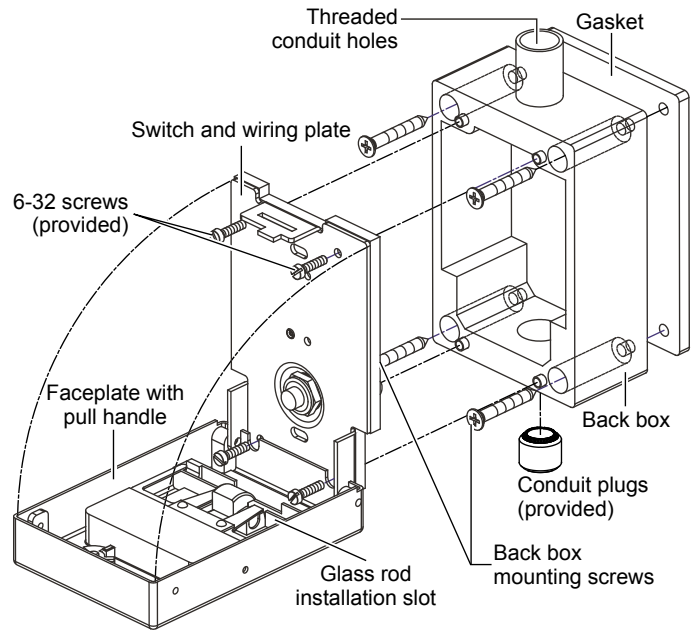
To install the MPSR series manual stations:

1. Attach the gasket to the back of the backbox.
2. Mount the backbox with the gasket in the desired location using the four mounting screws provided.
3. Attach conduit and pull wiring into the backbox.
4. Install a conduit plug (provided) in unused conduit holes.
5. Wire the manual station using the figures in "Wiring diagrams" below.
6. Open the faceplate using the key provided.
7. Attach the switch and wiring plate to the backbox using the four 6-32 screws provided. Make sure to align the station's mounting holes over the spacers provided in the backbox.
8. Install the glass rod in the back of the faceplate if it is required for use.

See the note above, Figure 1, and "Replacing the glass rod" on page 2 for more details.

9. Close and lock the faceplate.

Figure 1: MPSR features and installation



Wiring diagrams

Depending on which model of manual station you have, you could have either a two contact or six contact terminal block. See Figure 2 and Figure 3 for proper wiring of your manual station.

Note: Contact ratings are shown with the manual station's pull-down handle in the closed position.

Figure 2: Two contact terminal block wiring

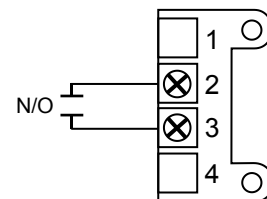
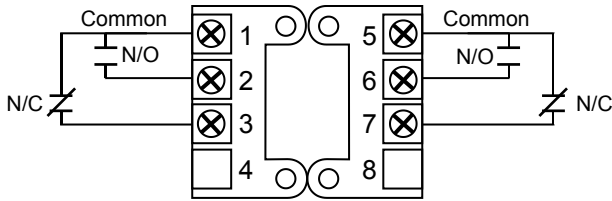


Figure 3: Six contact terminal block wiring



Replacing the glass rod

If the glass rod is broken, you can replace it without needing any special tools (P/N MPSRGR10 - 10 pack).

To replace the glass rod:

1. Open the faceplate using the key provided.
2. Remove the debris from the broken glass rod.
3. Make sure the pull-down handle is closed.
4. Locate the glass rod slot. (See Figure 1.)
5. Insert one end of the glass rod under the spring tab.
6. Using your finger, lift the other spring tab and slip the glass rod into place.
7. Close and lock the faceplate.

Resetting a manual station

If a manual station is activated, it can be reset and returned to operational use.

To reset a manual station:

1. Open the faceplate using the key provided.
2. Close the pull-down handle.
3. Replace the glass rod if one is being used.
4. Close and lock the faceplate.

Specifications

Dimensions

Width: 3.325 in. (8.445 cm)

Height: 4.750 in. (12.065 cm)

Depth: 0.875 in. (2.22 cm) single action, 1.5 in. (3.8 cm) double action

Mounting: Single-gang weatherproof backbox (included)

Wiring: Two or six contact terminal block depending on model

Power

Switch: 10 A at 120 VAC

Gold contact: 1.0 A at 120 VAC

Key switch: 0.5 A at 30 VDC

Locking mechanism: Standard key or hex key

Operation: Single action or double action depending on model

Operating environment

Temperature: 30 to 150°F (-35 to 66°C)

Humidity: 0 to 85% RH, noncondensing