



Genesis High Candela Ceiling Strobe Installation Sheet

Description

The Genesis High Candela Ceiling Strobe is a fire alarm notification appliance designed for indoor ceilings and walls. See Table 1 for a list of model numbers.

Table 1: Models

Description	Number	
Strobe, 95 to 177 multi-cd, white	ADTGC-VMH	MGC-VMH
	EGC-VMH	XLSGC-VMH
	GC-VMH	ZGC-VMH
Strobe, 95 to 177 multi-cd, white, with FIRE marking	ADTGCF-VMH	MGCF-VMH
	EGCF-VMH	XLSGCF-VMH
	GCF-VMH	ZGCF-VMH

A field configurable jumper option is available for selecting the desired strobe signal output.

The strobe includes a field configurable switch for selecting the desired candela output. The candela output setting is locked in place and remains visible after final installation.

This strobe features an enhanced synchronization circuit to comply with the latest requirements of UL 1971 *Signaling Devices for the Hearing Impaired* and the latest Canadian standard CAN/ULC-S526. Synchronized operation requires a separately installed synchronization control module. See Table 2 for a list of compatible synchronization modules.

Table 2: Compatible synchronization module models

Description	Number	
Auto-Sync Output Module	SIGA-CC1S	SIGA-MCC1S
	GSA-CC1S	GSA-MCC1
	SIGA-CC2A	SIGA-MCC2A
Signal Master - Remote Mount	ADTG1M-RM	MG1M-RM
	EG1M-RM	XLSG1M-RM
	G1M-RM	ZG1M-RM
Auxiliary and backup power supplies	APS-6A	APS-10A
	BPS-6A	BPS-10A

Installation

WARNING: To reduce the risk of shock, disconnect all power and allow 10 minutes for stored energy to dissipate before handling.

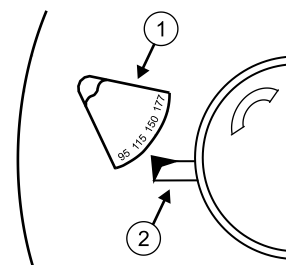
Caution: Electrical supervision requires the wire run to be broken at each terminal. Do not loop the signaling circuit field wires around the terminals.

Install this device in accordance with applicable requirements in the latest editions of NFPA 72, *National Fire Alarm and Signaling Code*, and the CAN/ULC-S524, *Standard for the Installation of Fire Alarm Systems*, and in accordance with the local authorities having jurisdiction.

To install the strobe:

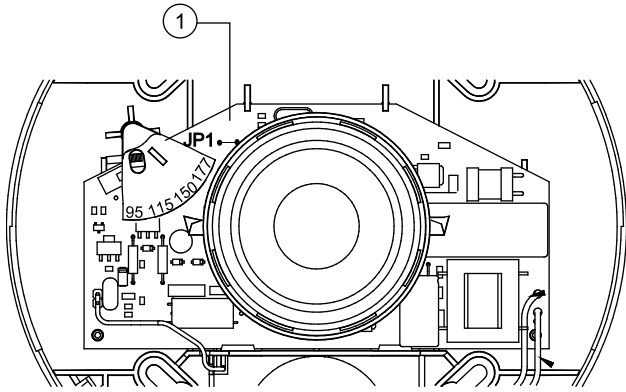
1. Remove the cover by depressing the tab on the side of the unit with a small screwdriver. Turn the cover counterclockwise to release.
2. Set the strobe signal to the desired settings. See Figure 2.
3. Connect the strobe terminals to the signal circuit field wiring. You must observe polarity for the unit to function properly. See Figure 4.
4. Slide the candela switch to the desired candela output (95, 115, 150, or 177 cd) by aligning it with the indicator below the switch. See Figure 1.
5. Mount the unit onto a compatible electrical box. See Figure 5.
6. Replace the cover by positioning the alignment arrows together and rotating the cover clockwise.
7. Test the unit for proper operation.

Figure 1: Candela switch



1. Candela switch
2. Indicator

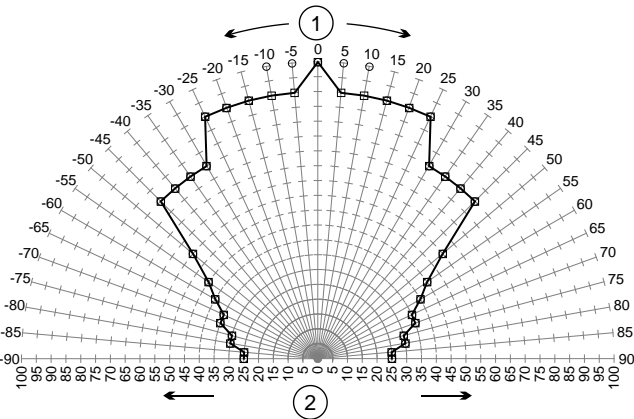
Figure 2: Strobe settings



1. JP1: Strobe signal output: Cut to change from 1 flash per second (public mode) to temporal (private mode)

Note: If the strobe is set to temporal (private mode), this device is no longer UL 1971 or CAN/ULC-S526 Listed or FM Approved but is UL 1638 Listed.

Figure 3: UL 1971 minimum light output (% of rating vs. angle)

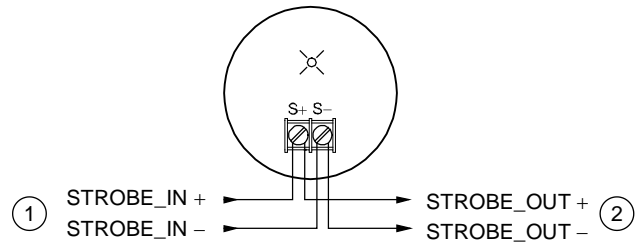


1. Angle
 2. Percentage of rated output
- Note: Horizontal and vertical outputs have the same pattern

Wiring

Caution: For proper supervision of fire alarm circuitry, break wires at S+ and S-. See Figure 4.

Figure 4: Wiring diagram



1. From previous device or control panel
 2. To next device, EOL or circuit return
- Note: Signal polarity is shown in the alarm condition.

Figure 5: Mounting diagram

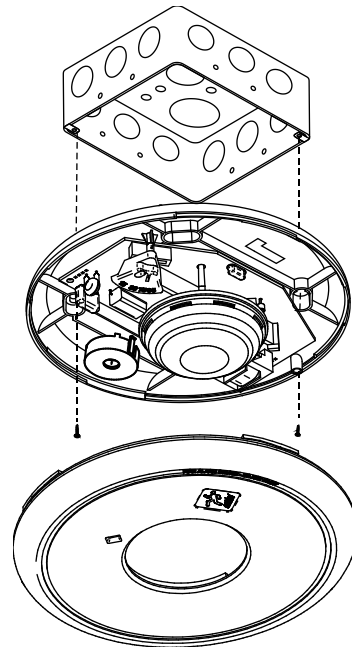


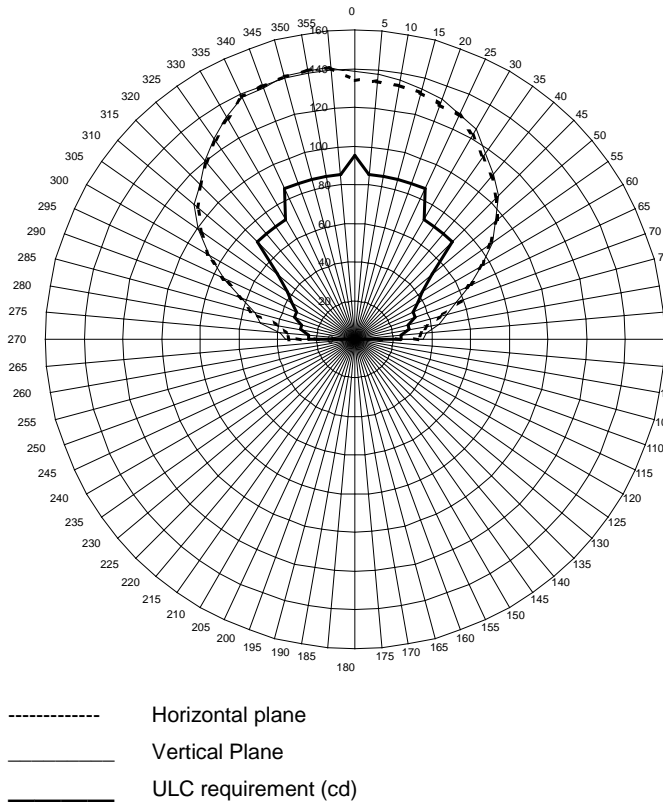
Table 3: Strobe operating current in RMS (A)

	95 cd	115 cd	150 cd	177 cd
VDC	0.330	0.392	0.502	0.565
VFWR	0.432	0.518	0.643	0.693

VDC = Volts direct current, regulated and filtered
 VFWR = Volts full wave rectified

Operating currents shown above were measured by UL at 16 VDC and 16 VFWR.

Figure 6: Light output profile



Maintenance

Caution: Do not change factory applied finishes.

This unit is not serviceable or repairable. Should the unit fail to operate, contact the supplier for replacement.

Perform a visual inspection and an operational test twice a year or as directed by the local authority having jurisdiction.

Specifications

Operating voltage	16 to 33 VDC and 16 to 33 VFWR
Strobe operating current	See Table 3
Light output	Selectable at 95, 115, 150, and 177 cd
Sound level output	See Table 4
Default settings	1 flash per second (fps)
Wire size	12 to 18 AWG (0.75 to 2.50 mm ²)
Compatible electrical boxes	North American 4 in. square electrical box, 2-1/8 in. deep (no extension ring)
Operating environment	
Temperature	32 to 120°F (0 to 49°C)
Relative humidity	0 to 93% noncondensing

Regulatory information

Manufacturer	Edwards, A Division of UTC Fire & Security Americas Corporation, Inc. 8985 Town Center Parkway, Bradenton, FL 34202, USA
Year of manufacture	The first two digits of the DATE MFG number (located on the product identification label) are the year of manufacture
UL/ULC rating	Regulated 24 DC, regulated 24 FWR This device was tested to the regulated 24 DC/FWR operating voltage limits of 16 V and 33 V. Do not apply 80% and 110% of these values for system operation.
Environmental class	UL: Indoor
Synchronization	Meets UL 1971 requirements. Maximum allowed resistance between any two devices is 20 Ω. Refer to specifications for the synchronization control module, this strobe, and the control panel to determine allowed wire resistance.
Agency listings	UL 1638 and UL 1971 CAN/ULC S-526

Contact information

For contact information, see www.edwardsutcfs.com.

