

2302 SERIES CURTAIN DOOR MAGNETIC CONTACTS

Model numbers:
2302, 2304



- **Designed specifically for curtain style overhead doors**
- **Interlocking mounting bracket**
- **Magnet mounts in door channel**
- **Fits most any door**
- **Reduced installation time**
- **Fewer service calls**
- **Mounting hardware included**

The **Sentrol 2302 Series Curtain Door** magnetic contacts are designed specifically for curtain style overhead doors. The unique design allows the contact to be mounted directly to the channel of the door, with the magnet mounted horizontally in the door slats, off the floor and out of harm's way. This eliminates the service calls and alarm situations that are created when typical floor-mount contacts become damaged, or as the door becomes misaligned with normal usage.

The interlocking mounting bracket adjusts to fit any size channel width. The 2302 Series contacts are constructed with a rugged extruded aluminum housing potted with Sentrol's exclusive polyurethane potting compound.

continued

Sentrol 2302 Series Curtain Door Magnetic Contacts

Architects and Engineering Specifications

The contact shall be a hermetically sealed reed switch nominally 3.6" L x 3" H x .65" D with actuating magnet. Each switch housing has two sets of mounting holes that shall be on 2.2" centers. Contact and magnet shall be in brushed extruded aluminum type housing. Contact shall be sealed in Sentrol's exclusive polyurethane potting compound. Mounting brackets shall be furnished with contact. Contacts shall be specified as Sentrol part numbers 2302 and 2304.

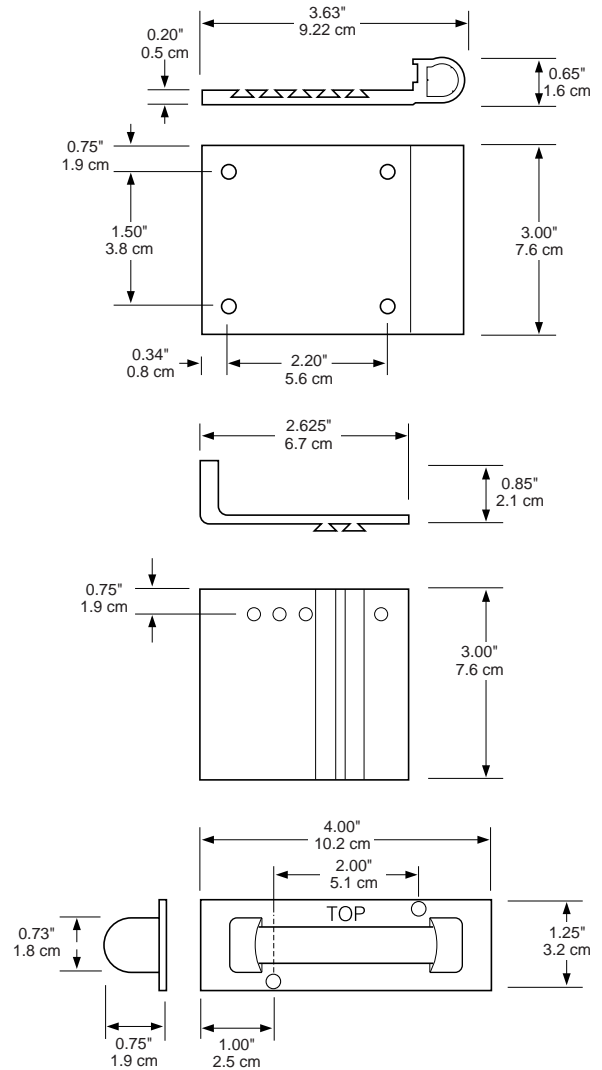
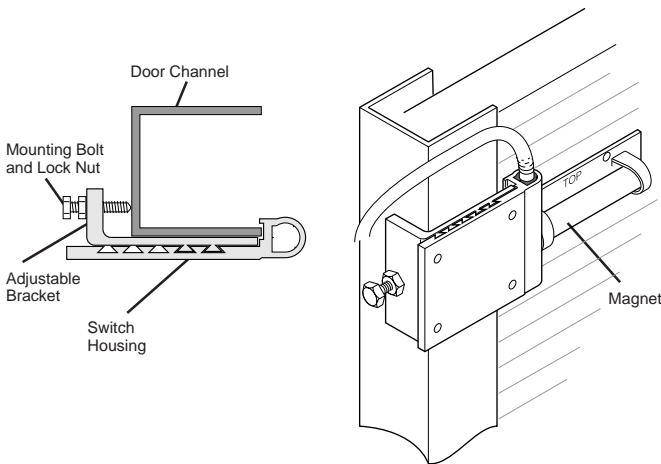
Specifications:

Form A (2302)

Voltage 100 V AC/DC max.
 Current 0.5 A max.
 Power 7.5 W max.

Form C (2304)

Voltage 30 V AC/DC max.
 Current 0.25 A max.
 Power 3.0 W max.



ORDERING INFORMATION

| Model Number | Loop Type | Electrical Configuration | Color Choice | Gap Distance (Make)* | Lead Type | Listing |
|--------------|----------------|--------------------------|--------------|----------------------|----------------------------------|---------|
| 2302 | Closed | N.O. | Aluminum | Up to 3" | 2' stainless steel armored cable | UL |
| 2304 | Open or Closed | S.P.D.T. | Aluminum | Up to 3" | 2' stainless | UL |

NOTE: *Gap distances are nominal make distance $\pm 20\%$. Gap specifications are for switch to make. Break distance is approximately 1.1 to 1.5 times make.

©1998 Sentrol, Inc. Certain of the items in the Product Information Bulletin are protected under one or more of the following patents: 4,210,888; 4,210,889; 4,213,110; 4,371,856; 4,325,270; 4,336,518; 4,392,707; 4,456,897; 4,536,754; 4,525,018; 4,553,134; 4,943,791; 5,004,879; 5,026,990; 5,155,460; 5,192,931; D253,106; D255,030; D262,618; D268,669; D273,783. Other patents pending.

Protected by U.S. Patent 5,777,552.



SENTROL

CORPORATE HEADQUARTERS

12345 SW Leveton Dr., Tualatin, OR 97062
 Tel.: 503.692.4052 Fax: 503.691.7566
<http://utcsfiresecurityproducts.com>
U.S. & Canada: 800.336.4206
Technical Service: 800.454.2363

Sentrol reserves the right to change specifications without notice.

©1998 Sentrol

C-3516-FLG5K-0798
 Printed on recycled paper