

Bells Vibrating 340EX and 435EX Series

Edwards 340EX and 435EX hazardous location bells are vibrating bells that produce a long, continuous ringing sound. The striker continues to strike the gong in rapid-fire as long as current is applied. They feature an explosionproof, NEMA Type 4 housing.

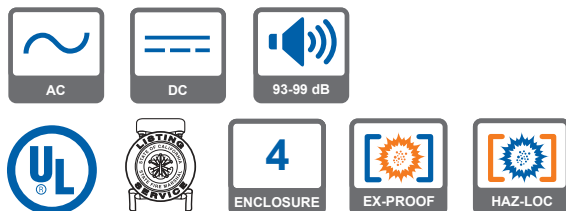
Features and Specifications

- 6", 8" and 10" gong sizes
- Completely assembled
- Corrosion resistant finish
- Mounts directly on any solid surface
- Low power draw for efficient operation over long runs
- Suitable for use in outdoor applications
- Adjustment free self-compensating solenoid plunger
- UL listed for Class I, Divisions 1 and 2, Groups B, C and D; Class II, Divisions 1 and 2, Groups E, F and G; Class III
- NEMA Type 4 enclosure



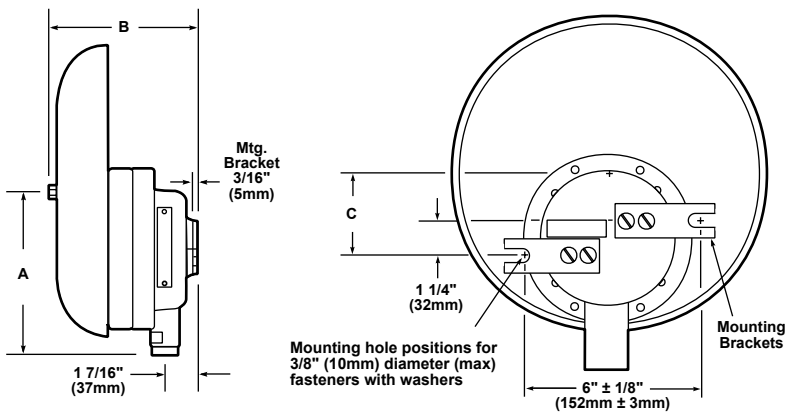
Ordering Information						
Description	Cat. No.	Operating Voltage ¹	Current	Gong Size	dB at 1m/10ft.	
AC	340EX-6G5	24V AC	0.210 A	6" (152mm)	94/84	
	340EX-10G5	24V AC	0.210 A	10" (254mm)	98/88	
	340EX-6N5	120V AC	0.041 A	6" (152mm)	94/84	
	340EX-8N5	120V AC	0.041 A	8" (203mm)	99/89	
	340EX-10N5	120V AC	0.041 A	10" (254mm)	98/88	
	340EX-6R5	240V AC	0.021 A	6" (152mm)	94/84	
	340EX-10R5	240V AC	0.021 A	10" (254mm)	98/88	
DC	435EX-6C1	6V DC	1.520 A	6" (152mm)	93/83	
	435EX-6E1	12V DC	0.520 A	6" (152mm)	96/86	
	435EX-10E1	12V DC	0.520 A	10" (254mm)	99/89	
	435EX-6G1	24V DC	0.240 A	6" (152mm)	93/83	
	435EX-8G1	24V DC	0.290 A	8" (203mm)	96/86	
	435EX-10G1	24V DC	0.290 A	10" (254mm)	99/89	
	435EX-6K1	48V DC	0.110 A	6" (152mm)	93/83	
	435EX-8K1	48V DC	0.110 A	8" (203mm)	96/86	
	435EX-6P1	125V DC	0.040 A	6" (152mm)	93/83	
	435EX-8P1	125V DC	0.040 A	8" (203mm)	96/86	
	435EX-10P1	125V DC	0.040 A	10" (254mm)	99/89	
	435EX-6S1	250V DC	0.023 A	6" (152mm)	93/83	
	435EX-8S1	250V DC	0.023 A	8" (203mm)	96/86	
	DC, Diode Polarized	435DEX-6G1	24V DC	0.290 A	6" (152mm)	93/83
435DEX-8G1		24V DC	0.290 A	8" (203mm)	96/86	
435DEX-10G1		24V DC	0.290 A	10" (254mm)	99/89	

¹AC voltage frequency is 50/60 Hz.



Bells Vibrating 340EX and 435EX Series

Weights and Dimensions						
Cat. No.	Approx. Net Weight (lb.)	Approx. Shipping Weight (lb.)	Gong Size	Dimensions		
				A	B	C
340EX-6G5	5.70	8.00	6" (152mm)	4 1/16" (103mm)	4 13/16" (122mm)	5/8" (16mm)
340EX-10G5	8.70	10.64	10" (254mm)	6 1/16" (154mm)	5 3/8" (137mm)	2 5/8" (67mm)
340EX-6N5	5.70	8.00	6" (152mm)	4 1/16" (103mm)	4 13/16" (122mm)	5/8" (16mm)
340EX-8N5	7.70	8.66	8" (203mm)	5 1/16" (129mm)	5 1/4" (133mm)	1 5/8" (41mm)
340EX-10N5	8.70	10.64	10" (254mm)	6 1/16" (154mm)	5 3/8" (137mm)	2 5/8" (67mm)
340EX-6R5	5.70	8.00	6" (152mm)	4 1/16" (103mm)	4 13/16" (122mm)	5/8" (16mm)
340EX-10R5	8.70	10.64	10" (254mm)	6 1/16" (154mm)	5 3/8" (137mm)	2 5/8" (67mm)
435EX-6C1	5.70	7.80	6" (152mm)	4 1/16" (103mm)	4 13/16" (122mm)	5/8" (16mm)
435EX-6E1	5.70	7.80	6" (152mm)	4 1/16" (103mm)	4 13/16" (122mm)	5/8" (16mm)
435EX-10E1	8.70	10.60	10" (254mm)	6 1/16" (154mm)	5 3/8" (137mm)	2 5/8" (67mm)
435EX-6G1	5.70	7.80	6" (152mm)	4 1/16" (103mm)	4 13/16" (122mm)	5/8" (16mm)
435EX-8G1	7.70	8.60	8" (203mm)	5 1/16" (129mm)	5 1/4" (133mm)	1 5/8" (41mm)
435EX-10G1	8.70	10.60	10" (254mm)	6 1/16" (154mm)	5 3/8" (137mm)	2 5/8" (67mm)
435EX-6K1	5.70	7.80	6" (152mm)	4 1/16" (103mm)	4 13/16" (122mm)	5/8" (16mm)
435EX-8K1	7.70	8.60	8" (203mm)	5 1/16" (129mm)	5 1/4" (133mm)	1 5/8" (41mm)
435EX-6P1	5.70	7.80	6" (152mm)	4 1/16" (103mm)	4 13/16" (122mm)	5/8" (16mm)
435EX-8P1	7.70	8.60	8" (203mm)	5 1/16" (129mm)	5 1/4" (133mm)	1 5/8" (41mm)
435EX-10P1	8.70	10.60	10" (254mm)	6 1/16" (154mm)	5 3/8" (137mm)	2 5/8" (67mm)
435EX-6S1	5.70	7.80	6" (152mm)	4 1/16" (103mm)	4 13/16" (122mm)	5/8" (16mm)
435EX-8S1	7.70	8.60	8" (203mm)	5 1/16" (129mm)	5 1/4" (133mm)	1 5/8" (41mm)
435DEX-6G1	5.70	6.80	6" (152mm)	4 1/16" (103mm)	4 13/16" (122mm)	5/8" (16mm)
435DEX-8G1	7.70	8.60	8" (203mm)	5 1/16" (129mm)	5 1/4" (133mm)	1 5/8" (41mm)
435DEX-10G1	8.70	10.40	10" (254mm)	6 1/16" (154mm)	5 3/8" (137mm)	2 5/8" (67mm)



NOTE: Mounts to any solid surface using 3/8" (10mm) fasteners. Units fitted with a sealing fitting for 3/4" (19mm) conduit and wire leads for power connections.