

Conventional Fire Alarms Panels

E-FSC Series

The Edwards E-FSC fire alarm family consists of 3, 5 and 10 zone conventional fire alarm control panels, an integrated DACT/Dialer, serial annunciator modules, and serial remote relay modules. All of these components are microprocessor-controlled. The E-FSC family is suitable for both new and retrofit installations.

E-FSC Series Panels incorporate features designed to simplify installation, operation and maintenance. These include front panel programming, one person walk testing, and selectable IDC and NAC types. In addition, when used with Edwards CleanMe® -compatible smoke detectors, E-FSC provides analog type features such as remote maintenance alert and automatic drift compensation that reduces false alarms and simplifies maintenance calls.

E-FSC502 and E-FSC1004 panels support Class A operation by combining pairs of on-board initiating circuits (IDCs) or notification circuits (NACs) to provide the necessary Class A circuits.

Features and Specifications

- Available in 3, 5, and 10 IDC models
- IDC or NAC pairs convertible to single Class A circuits (10 and 5 IDC panels only)
- Combination Waterflow and Supervisory IDCs reduces wire and zone counts
- NACs programmable by zone and individually selectable for Genesis, continuous, temporal outputs, or coded
- Front panel programmable
- Optional fully integrated DACT/Dialer for remote PC programming
- Genesis option allows precision synchronization and audible silence over two wires without additional modules
- On-board relays for Alarm, Supervisory and Trouble
- Optional serial bus relay modules are programmable for common or zone activation
- Optional serial bus remote annunciator family
- Expandable power supply on 10 IDC panel
- Trim ring available for semi-flush mounting
- Supports 2M, "SC", 2400, 500, and 700 series detectors
- Operating temperature range: 32°F to 120°F (0°C to 49°C)

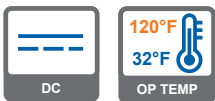


Ordering Information

Description	Cat. No.*	IDCs Class		NACs Class		Max. NAC Current	Auxiliary Current ¹	Contacts		Color
		B	A	B	A			Alarm (Form C), Trouble (Form C), Supervisory (Form C)		
Control Panel	E-FSC1004G	Up to 10	Up to 5	Up to 4	Up to 2	2 A ea, 3.5 A total; 7 A w/optional transformer	0.5 A max.	30V DC @ 1 A resistive load		Gray
	E-FSC1004R	Up to 10	Up to 5	Up to 4	Up to 2	2 A ea, 3.5 A total; 7 A w/optional transformer	0.5 A max.	30V DC @ 1 A resistive load		Red
	E-FSC502G	Up to 5	Up to 2	2	1	2 A ea, 3.5 A total	0.5 A max.	30V DC @ 1 A resistive load		Gray
	E-FSC502R	Up to 5	Up to 2	2	1	2 A ea, 3.5 A total	0.5 A max.	30V DC @ 1 A resistive load		Red
	E-FSC302G	3	N/A	2	N/A	2 A ea, 3.5 A total	0.5 A max.	30V DC @ 1 A resistive load		Gray
	E-FSC302R	3	N/A	2	N/A	2 A ea, 3.5 A total	0.5 A max.	30V DC @ 1 A resistive load		Red

¹May be programmed as resettable

*NOTE: Add "D" to end of catalog number to add integral dialer; ex: "E-FSC1004GD."



Conventional Fire Alarms Panels

E-FSC Series

Ordering Information			
Description	Cat. No.	Receivers	Communications Protocol
Digital Communicator/Modem/LCD module (Mounts in control panel)	F-DACT	Supports 2 w/2 phone nos. ea.	Contact ID (SIA DC-05), 4/2 (SIA DC-02 P3)

Ordering Information			
Remote Annunciator Description	Cat. No.	Max. per System	Contact Rating
Remote System Indicator	FSRSI	All panels: 2	N/A
Remote Zone Indicator	FSRZI-A	10 zone panel: 4, 3 or 5 zone panel: 2	N/A
	FSRZI-SA	10 zone panel: 4, 3 or 5 zone panel: 2	N/A
F-Series Remote Annunciators ²	FSRA10	10 zone panel: 2	N/A
	FSRA10C	10 zone panel: 2	N/A
Universal Input Module	FSUIM	N/A	30V DC @ 1 A resistive load

²Used with 10 zone panel only.

Ordering Information				
Description	Cat. No.	Max. per System		Contact Rating
		Configured for Zone Mode	Configured for Common Mode	
Remote Relay Module	FSRRM24	10 zone panel: 4; 3 or 5 zone panel: 2	All panels: 2	1 A @ 30V DC

Accessories		
Description	Cat. No.	Color
Semi-flush trim ring for E-FSC302 and E-FSC502	F-TRIM35G	Gray
Semi-flush trim ring for E-FSC302 and E-FSC502	F-TRIM35R	Red
Semi-flush trim ring for E-FSC1004	F-TRIM10G	Gray
Semi-flush trim ring for E-FSC1004	F-TRIM10R	Red
Expander Transformer, 120 Vac - For E-FSC1004* only	F-XTR120	
EOL resistors for supervisory/waterflow combination circuit	EOL3.6-1.1	
City Tie Module (Requires 4" square or 2-gang North American electrical box)	CTM	
Reverse Polarity Module (Requires MFC-A or other listed fire alarm enclosure)	RPM	

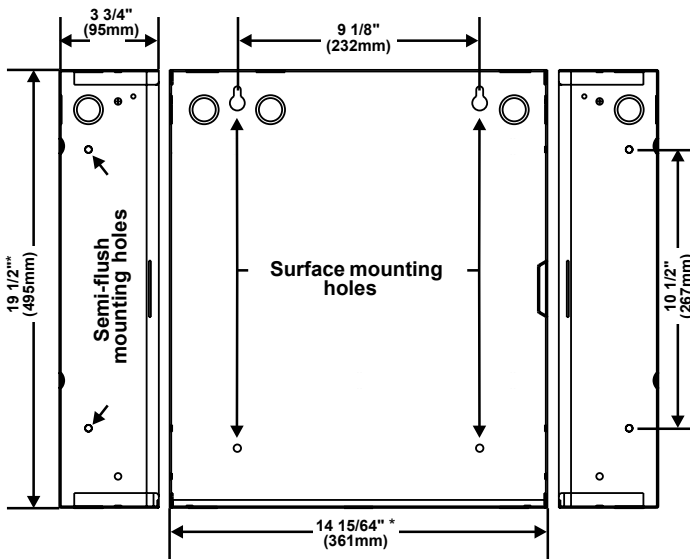
Accessories		(Continued)
Description	Cat. No.	
Annunciator Trim Plate, 1 gang	FSAT1	
Annunciator Trim Plate, 2 gang	FSAT2	
Annunciator Trim Plate, 3 gang	FSAT3	
Annunciator Trim Plate, 4 gang	FSAT4	
11" Mounting track. Holds up to 4 FSRRM24s.	FSRRM-S11	
Multi-function Cabinet (fire alarm accessory enclosure)	MFC-A	

Conventional Fire Alarms Panels

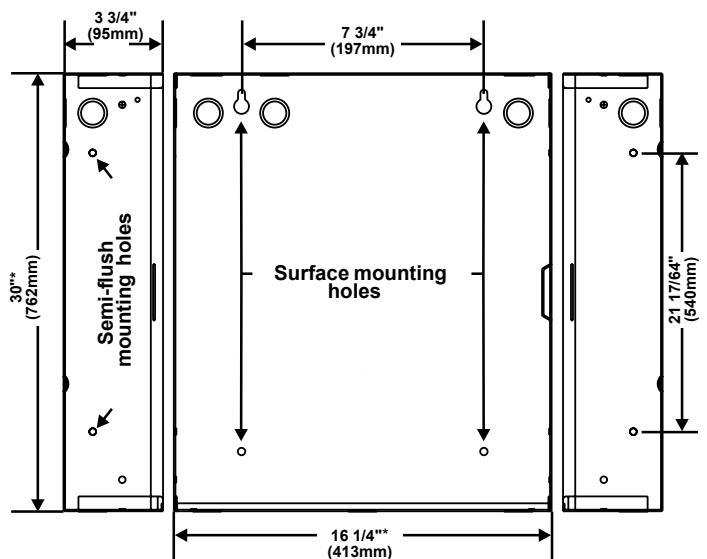
E-FSC Series

Weights and Dimensions

Cat. No.	Approx. Shipping Weight (lb.)
E-FSC1004G	30.50
E-FSC1004R	30.50
E-FSC502G	18.50
E-FSC502R	18.50
E-FSC302G	18.00
E-FSC302R	18.00
F-DACT	1.00
FSRSI	0.30
FSRZI-A	0.30
FSRZI-SA	0.30
FSRA10	1.00
FSRA10C	1.00
FSUIM	0.40
FSRRM24	0.40
F-TRIM35G	1.70
F-TRIM35R	1.70
F-TRIM10G	2.20
F-TRIM10R	2.20
F-XTR120	4.00
EOL3.6-1.1	0.10
CTM	1.00
RPM	3.00
FSAT1	0.10
FSAT2	0.10
FSAT3	0.10
FSAT4	0.10
FSRRM-S11	0.40
MFC-A	7.00



Three and Five Zone



Ten Zone

* Add 1-1/2 in. (38.1mm) for trim kit.