

# APPLICATION FIRE ALARM BULLETIN



## SIGNAL MASTERS – HOW THEY WORK

### Purpose

Understanding the operation of Genesis Signal Masters can assist the fire alarm system designer in the proper application of Genesis devices and circuits. This document explains the operation of Genesis synchronization and silence functions and their application.

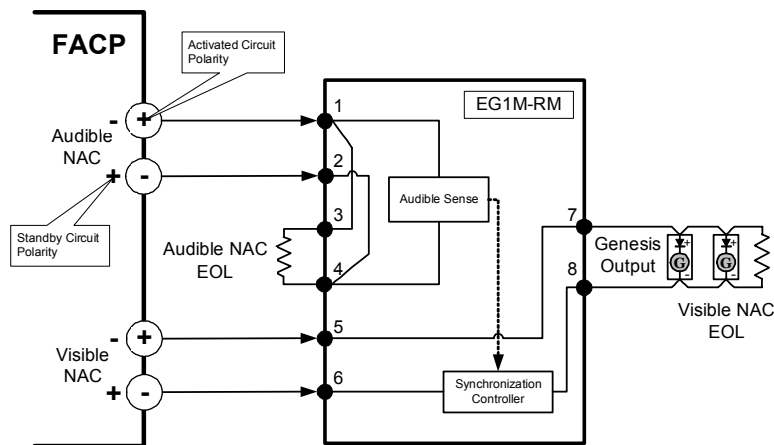
### Description

The EG1M(-RM) Genesis Signal Master converts one conventional polarized audible NAC and one conventional polarized visible NAC to a single Genesis (audible/visible) NAC, providing synchronization and audible silence functions on a single 2-wire circuit.

### How they work

The visible NAC input terminals (5/6) supply power to the Genesis NAC. The EG1M(-RM) puts a synchronization signal on the circuit. This signal is generated when the circuit is originally turned on and approximately every 128 seconds thereafter to keep all Genesis strobes synchronized.

The Audible NAC input terminals (1/2) activate the audible portion of Genesis devices when the proper polarity voltage is present. When this voltage is removed, the audible devices are silenced.



**NOTE:** All Genesis NAC circuit power is derived from the visible NAC connected to terminals 5 and 6. The Genesis NAC current capacity is 2A for the EG1M and 3A for the EG1M-RM. The Audible NAC input terminals (1/2) are used for horn control only and do not draw any significant current.

# SIGNAL MASTERS - HOW THEY WORK

---

2

## Required hardware

- EG1M or EG1M-RM Signal Master Modules

## Reference materials

- EG1M & EG1M-RM catalog pages
- EG1M Installation sheet P/N 3100124
- EG1M-RM Installation sheet P/N 3100299