



48XBRM Series XTRA-BRITE™ LED Dual-Mode Visual Indicator for NEMA 4X Applications

The 48XBRM Series LED Visual Indicator is a UL and cUL listed dual-mode signaling device housed in a corrosion resistant Type 4X enclosure. The 48XBRM Series XBR (XTRA-BRITE™) is suitable for indoor or outdoor installations, and can be panel or conduit mounted. The base is manufactured from a polycarbonate/ABS blend, and the lens is made of shatter resistant polycarbonate. The 48XBRM Series LED is available in AC and DC models with a gray base, and an amber, blue, green, red or white lens.

The 48XBRM Series XTRA-BRITE™ LED beacons are well suited for areas with high ambient noise levels, especially where ear protection must be worn. These LED beacons are also ideal for high-vibration applications and areas where long lamp life is a must. 48XBRM LED beacons are “dual-mode” devices that ship from the factory in steady-on mode and can be readily transformed by changing the dipswitch setting to 65 FPM “flashing” mode.

Designed for indoor or outdoor installation. May be direct or 1/2” conduit mounted. For weatherproof installation, units must be mounted vertically with the lens facing up. Use Cat. No. GSK-KIT gasket kit for weatherproof surface installation of AC models. May be corner mounted using the Cat. No. CBR, corner mount bracket, or wall mounted using the Cat. No. WBR, wall mount bracket.

48XBRM Series LED Features

- Rated for use in indoor and outdoor applications
- Available in 24V DC or 120V AC
- Available with gray base
- Option for panel or conduit mounting
- Dual-mode beacons: Steady-On or Flashing LED
- Snap-on high impact polycarbonate/ABS base
- Shatter resistant polycarbonate lens
- Available with amber, blue, green, red or clear lens
- -31°F to 150°F (-35° to 66°C) operating temperature

48XBRM Series

Description	Cat. No.	Base	LED Colors	Projected LED Life (L70)**	Operating Voltage	Current	Replacement Lens
LED Dual-Status Beacon in NEMA 4X Enclosure	48XBRM*24D	Gray	Red, Green, Amber, Blue, White	148,000 hours	24 VDC	0.215 A	96-L*
	48XBRM*120A	Gray	Red, Green, Amber, Blue, White	148,000 hours	120 VAC 50/60 Hz	0.108 A	96-L*

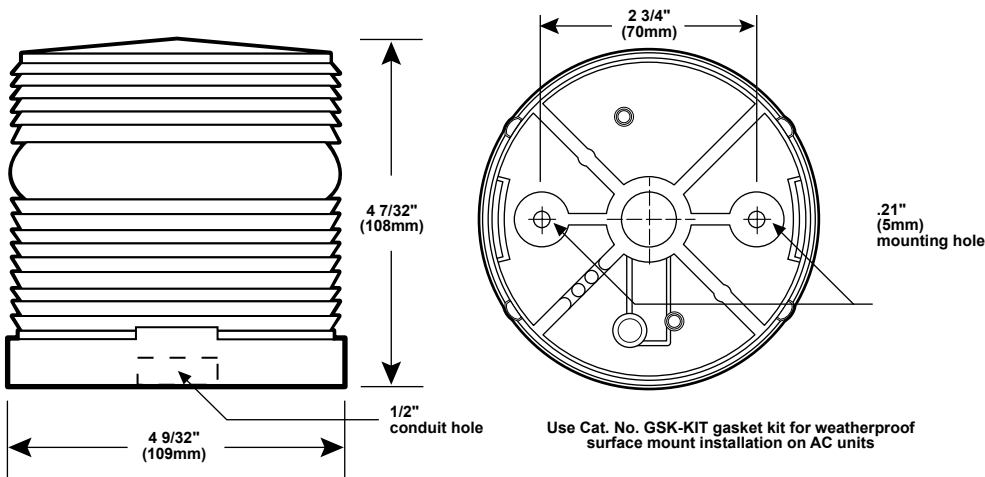
*Letter in this position designates lens color: A - amber, B - blue, G - green, R - red, or W - white

**LED Manufacturer's Median Projected LED Life for LUXEON Rebel LEDs (L70 at 85°C and T_{junction} 98°C). Actual LED life will vary inversely with ambient temperature, voltage, driver current, junction temperature and duty-cycle at which the signaling device is operated. Please refer to <http://www.philipslumileds.com/pdfs/WP15.pdf>.

PLC Output to Meet Input Parameter Specifications

Cat. No.	Operating Voltage	Max. Off State Leakage Current (mA)	Continuous On Current (mA)	Surge (inrush / duration)
48XBRM*24D	24 VDC	5	215	37.5 A / 164 µseconds
48XBRM*120A	120 VAC 60 Hz	5	108	37.5 A / 164 µseconds

Dimensional Drawing



Agency Approvals

