



F-DACT(F) Digital Alarm Communicator Transmitter Installation Sheet

Description

The F-DACT(F) is a digital alarm communicator transmitter for F-series fire alarm control panels. The F-DACT(F), also called a dialer, transmits system status changes (events) to a compatible digital alarm communicator receiver over the public switched telephone network. The dialer is capable of split reporting to two different account and telephone numbers.

In addition to dialer functions, the F-DACT(F) provides:

- An LCD to display event messages and programming prompts
- An event history log of panel and DACT events
- A modem for uploading and downloading panel configuration, history, and current status to a PC running compatible software

Note: The F-DACT(F) modem is only rated for 2400 baud communication. Some PC modems may not be compatible with this baud rate.

The F-DACT(F) can be programmed to operate as a single or dual line DACT/Modem/LCD display, a Modem/LCD display, or an LCD display only. For the F-DACT(F) to be NFPA 72 CS compliant, the following are required:

- The factory installed warning label must be removed from the F-DACT(F)'s line two phone jack
- A second phone line, independent of that used for line one must be connected to phone jack two
- The F-DACT(F) must be programmed for dual line operation
- The F-DACT(F) must be programmed to transmit a test signal at least once every 24 hours

Leaving the JP1 wire loop intact configures the F-DACT(F) for attended downloading. The panel will not allow changes to the panel or dialer configuration unless the program jumper is inserted. It will allow changes to receiver information (account code, telephone numbers, etc.). UL requires the red wire loop to be intact for all remote station systems.

For additional download security, the F-DACT(F) can be programmed to perform a callback function. to prevent unauthorized access to the panel's programming.

The F-DACT(F) is listed for use with the digital alarm communicator receivers listed below.

For CAN/ULC-S559 compliant configurations for fire signal receiving centre and proprietary fire signal receiving centre

applications refer to *CAN/ULC-S559 Supplement Manual*, P/N 3101563.

Manufacturers	Models	Formats
Ademco	685	EST 4/2, Contact ID
FBII	CP220	EST 4/2, Contact ID
Osborne-Hoffman	OH 2000	EST 4/2, Contact ID
Radionics	D6500	EST 4/2
	D6600	EST 4/2, Contact ID
Silent Knight	9000	EST 4/2
Sur-Gard	MLR1, MLR2, MCDI TLR, TLR+	EST 4/2, Contact ID

Note: EST 4/2 is SIA DCS-02 P3 with the ability to transmit hexadecimal event codes.

FCC Information

1. The dialer complies with Part 68 of the FCC rules. The dialer's FCC certification number and Ringer Equivalence Number (REN) are displayed on the panel's programming label and in this manual. This information must be provided to the telephone company if requested.
2. Two FCC compliant telephone cords with 8-pin modular plugs at both ends are supplied with the FSDACT. The dialer is designed to be connected to the telephone network using the supplied cord and an RJ-31X or RJ-38X jack, which must also comply with FCC Part 68 rules.
3. The REN is used to determine the maximum number of devices that may be connected to a single telephone circuit. All telephone devices are assigned a REN. The sum of the RENs for all connected devices may not exceed five. The maximum REN may vary in some areas. Contact the local telephone provider for more information.
4. If the dialer causes harm to the telephone network, the telephone company will notify you an advance that temporary discontinuance of service may be required. If advance notice is not practical, the telephone company will notify you as soon as possible. You will also be advised of your right to file a complaint with the FCC, if you believe it is necessary.
5. The telephone company may make changes in its facilities, equipment, operations, or procedures that could affect the operation of the dialer. If this happens, the telephone company will provide advance notice in order

for you to make necessary modifications to maintain uninterrupted service.

6. If trouble is experienced with the dialer, for repair or warranty information, contact:

UTC Fire & Security
8985 Town Center Parkway
Bradenton, FL 34202
Telephone: (800) 655-4497.

If the dialer is causing harm to the telephone network, the telephone company may request you disconnect the dialer until the problem is resolved.

7. No repairs may be performed on the dialer by the user.
8. The dialer can not be used on public coin phones or party line service provided by the telephone company.

Industry Canada Information

NOTICE: This equipment meets the applicable Industry Canada Terminal Equipment Technical Specifications. This is confirmed by the registration number. The abbreviation, IC, before the registration number signifies that registration was performed based on a Declaration of Conformity indicating that Industry Canada technical specifications were met. It does not imply that Industry Canada approved the equipment.

Before installing this equipment, users should ensure that it is permissible to be connected to the facilities of the local telecommunications company. The equipment must also be installed using an acceptable method of connection. The customer should be aware that compliance with the above conditions may not prevent degradation of service in some situations.

Repairs to certified equipment should be coordinated by a representative designated by the supplier. Any repairs or alterations made by the user to this equipment, or equipment malfunctions, may give the telecommunications company cause to request the user to disconnect the equipment.

Users should ensure for their own protection that the electrical ground connections of the power utility, telephone lines, and internal metallic water pipe system, if present, are connected together. This precaution may be particularly important in rural areas.

Caution: Users should not attempt to make connections themselves, but should contact the appropriate electric inspection authority, or electrician, as appropriate.

NOTICE: The Ringer Equivalence Number (REN) for this terminal equipment is 0.1. The REN assigned to each terminal equipment provides an indication of the maximum number of terminals allowed to be connected to a telephone interface. The termination on an interface may consist of any combination of devices subject only to the requirement that the sum of the Ringer Equivalence Numbers of all the devices does not exceed five.

Installation instructions

Install the F-DACT(F) according to the instructions provided below.

WARNING: High voltages capable of causing personal injury including death may be present. Disconnect all sources of power then wait at least 30 seconds for capacitors to discharge to a safe energy level before proceeding.

Caution: Failure to disconnect power will damage the panel and the F-DACT(F). Observe static-sensitive handling practices.

Note: It is not necessary to remove the main panel board from the cabinet to install the the F-DACT(F).

To install the F-DACT(F):

1. Remove the clear plastic film protecting the LCD on the F-DACT(F).
2. Mount the F-DACT(F) to the back of the circuit board. See Figure 1.
3. If this is a new installation, remove the insert from the LCD window on the control panel.
4. Connect the power cable to J2 on the control panel.
5. Connect the supplied modular phone cables to the RJ-31X/C31X jacks. See Figure 2.
6. Energize the control panel.

For programming instructions, refer to the technical manual referenced under "Commercial Protected Premises Control Unit" on the label attached to the inside of the cabinet door.

In addition, if you are installing the F-DACT(F) in a FireShield control panel, see "Programming for FireShield control panels" later in this document.

Figure 1: F-DACT(F) installation

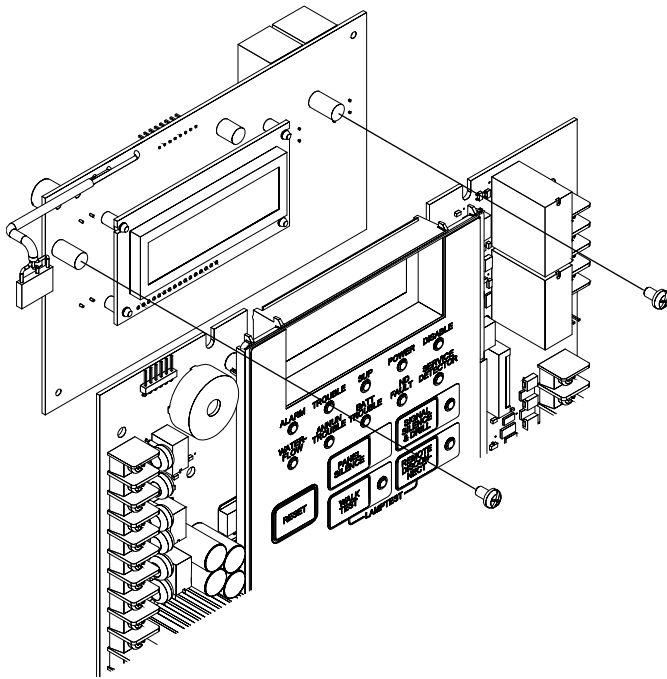
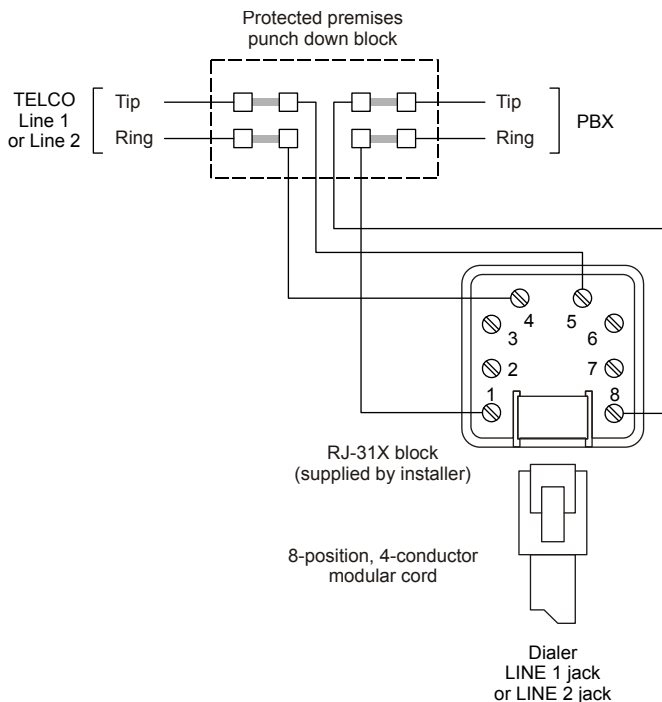


Figure 2: Typical RJ-31X connection



Programming for FireShield control panels

If you are installing the F-DACT(F) into a FireShield control panel, you will see these new programming options:

- Daylight saving time
- Line 1 and Line 2 supervision duration
- Blind call dialing
- Line ground fault check

Programming instructions for these new options are provided below.

Daylight saving time

The daylight saving time (DST) option determines when and how much the system clock is adjusted for daylight saving time.

The default DST settings adjust the system clock forward one hour on the second Sunday in March at 2:00 a.m. and back one hour on the first Sunday in November at 2:00 a.m.

To change daylight saving time settings:

1. Select the Daylight Saving option.
2. Enter Set.
3. For DST Adjustment, enter how many minutes you want the system clock adjusted when DST begins and ends. The default value is 60 minutes.
Enter 00 minutes to prevent daylight saving time from automatically adjusting the system clock.
4. For DST Start Month, enter the month that DST begins. The default value is 03 (March).
5. For DST Start Week, enter the week that DST begins. The default value is 2nd.
6. For DST Start Day, enter the day that DST begins. The default value is Sunday.
7. For DST Start Hour, enter the hour that DST begins. The default value is 02 (2:00 a.m.).
The start hour is in 24-hour format. 00 = 12:00 a.m. (midnight), 01 = 1:00 a.m., 12 = 12:00 p.m. (noon), 23 = 11:00 p.m.
8. For DST End Month, enter the month that DST ends. The default value is 11 (November).
9. For DST End Week, enter the week that DST ends. The default value is First.
10. For DST End Day, enter the day that DST ends. The default value is Sunday.
11. For DST End Hour, enter the hour that DST ends. The default value is 02 (2:00 a.m.).

Line 1 and Line 2 supervision duration

The Line 1 Supervision Duration and Line 2 Supervision Duration options determine how long the dialer waits before reporting a line cut or ground fault (if enabled) on the telephone line connections. You can choose between 0 (off) and 200 seconds.

Default: 200 seconds

To change the Line 1 and Line 2 supervision duration:

1. Select Line 1 Supv Dur.
2. Enter a time between 0 and 200. 0 turns Line 1 supervision off
3. Select Line 2 Supv Dur.
4. Enter a time between 0 and 200. 0 turns Line 2 supervision off

Blind call dialing

The Blind Call Dialing option determines whether the dialer can dial out without waiting for a dial tone.

Default: No

To enable blind call dialing:

1. Select Blind Call Dial.
2. Enter Yes.

Line ground fault check

The Line Ground Fault Check option determines whether the dialer supervises both telephone lines for ground faults.

Default: Yes

To disable telephone line ground fault supervision:

1. Select Line GF Check.
2. Enter No.

Specifications

Phone line type	One or two loop-start lines on a public, switched network
Phone line connector	RJ-31/38X (C31/38X). Two 7 ft plug cords are shipped with the F-DACT(F).
FCC registration number	US: GESAL01BFDACT
Ringer equivalence number	0.1
Industry Canada Registration number	IC: 3944-FDACT
Connection between panel and F-DACT(F)	6-pin connector
Communication formats	Contact ID (SIA DC-05) and EST 4/2 (SIA DC-02 P3 with hexadecimal event codes)
Current	
Standby	65 mA at 24 VDC, nominal
Alarm	107 mA at 24 VDC, nominal
Operating environment	
Temperature	32 to 120°F (0 to 49°C)
Relative humidity	0 to 93% noncondensing