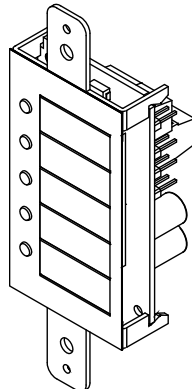




# FSRZI-A(-SA) Remote Zone Indicators Installation Sheet



## Description

The FSRZI-A and FSRZI-SA are remote zone indicators for F-series fire alarm control panels. The FSRZI-A provides five red LEDs for indicating alarm zones. The FSRZI-SA provides five bi-color LEDs (red for alarm zones; yellow for supervisory and monitor zones). Configuration jumpers determine which zones are indicated.

FSRZI-A and FSRZI-SA remote zone indicators include a cover plate for installation in a standard, single-gang electrical box. You can install one or two FSRZI-A and FSRZI-SA remote zone indicators (with or without an FSRSI remote system indicator) in an approved 2-, 3-, or 4-gang electrical box. Cover plates for 2-, 3-, and 4-gang electrical boxes (model numbers FSAT2, FSAT3, and FSAT4) are ordered separately.

A paper insert is provided for creating custom LED labels.

FSRZI-A and FSRZI-SA remote zone indicators are configured using the jumpers described in the tables below.

Table 1: Group selection jumper

J5	Description
ON	Selects peripheral group 1
OFF	Selects peripheral group 2

**Note:** Only two remote zone indicators are allowed per peripheral group.

Table 2: Zone selection jumpers

J4	J3	J2	Description
ON	OFF	OFF	LEDs used to indicate zones 1 to 5 (IDC 1 to IDC 5 on the control panel)
OFF	ON	OFF	LEDs used to indicate zones 6 to 10 (IDC 6 to IDC 10 on the control panel)
OFF	OFF	ON	Not used

**Note:** Install a jumper on J3 only when connected to a 10-zone control panel.

## Installation

**Caution:** Make sure all power is disconnected from the panel before installing. Observe static-sensitive handling practices.

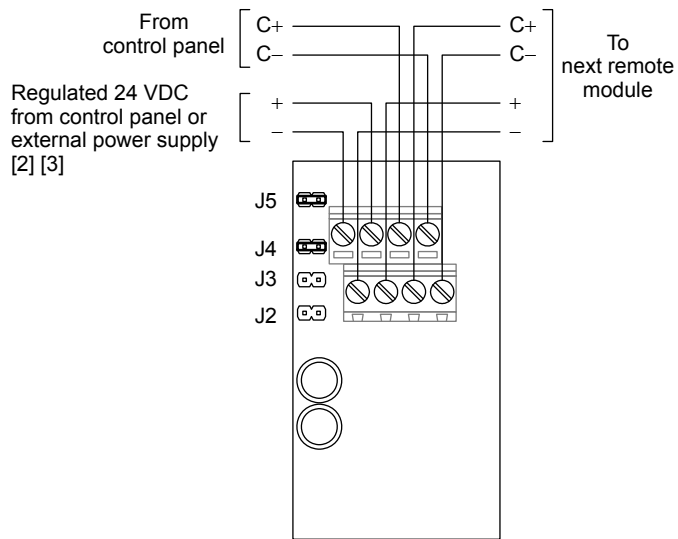
For more information, refer to the technical reference manual listed inside the control panel door.

### To install the remote zone indicator:

1. Configure the jumpers as described in Table 1 and Table 2.
2. Verify that all field wiring is free of opens, shorts, and ground faults.
3. Wire the remote zone indicator as shown Figure 1.
4. Mount the remote zone indicator in the electrical box using the two plain machine screws. See Figure 2.  
**Note:** If you are surface mounting the remote zone indicator, you must install washers (provided) between it and the surface mount box.
5. Attach the faceplate to the remote zone indicator. Use the two white machine screws provided with the faceplate.

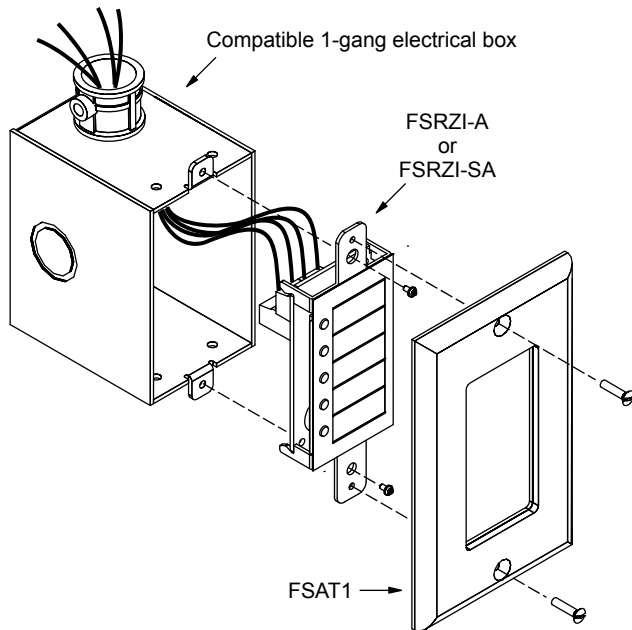
**Note:** Remote zone indicators will not operate properly until detected by the control panel. For more information, see the technical reference manual listed inside the control panel door.

**Figure 1: Wiring diagram**



1. All wiring is supervised and power-limited.
- [2] AUX power supplied by the control panel can't exceed 0.5 A. If more than 0.5 A is required, you must use a power-limited and regulated 24 VDC auxiliary/booster power supply that is UL/ULC Listed for fire protective signaling systems.
- [3] If powered from an external supply, the supply must be installed in the same room as the control panel and their 24 VDC commons (-) wired together.

**Figure 2: Installing the remote zone indicator in a single-gang electrical box**



## Specifications

Voltage	18.8 to 27.3 Vdc
Current	
Standby	8 mA at 24 VDC
Alarm	76 mA at 24 VDC
Circuit capacitance	0.03 $\mu$ F, max.
Circuit resistance	13 ohms, max.
Ground fault impedance	0 ohms
Wire size	12 to 18 AWG (0.75 to 2.5 sq mm)
Compatible electrical box	ANSI/NEMA OS1-1996, 1- to 4-gang electrical box
Operating environment	
Temperature	32 to 120°F (0 to 49°C)
Relative humidity	0 to 93% noncondensing